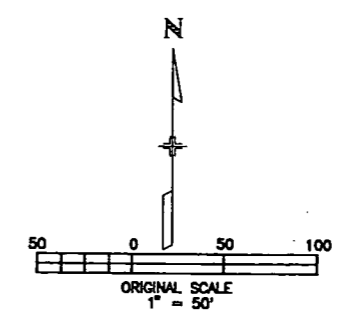


T. 5 N., R. 70 W. of the 6th P.M.

Shane Copper

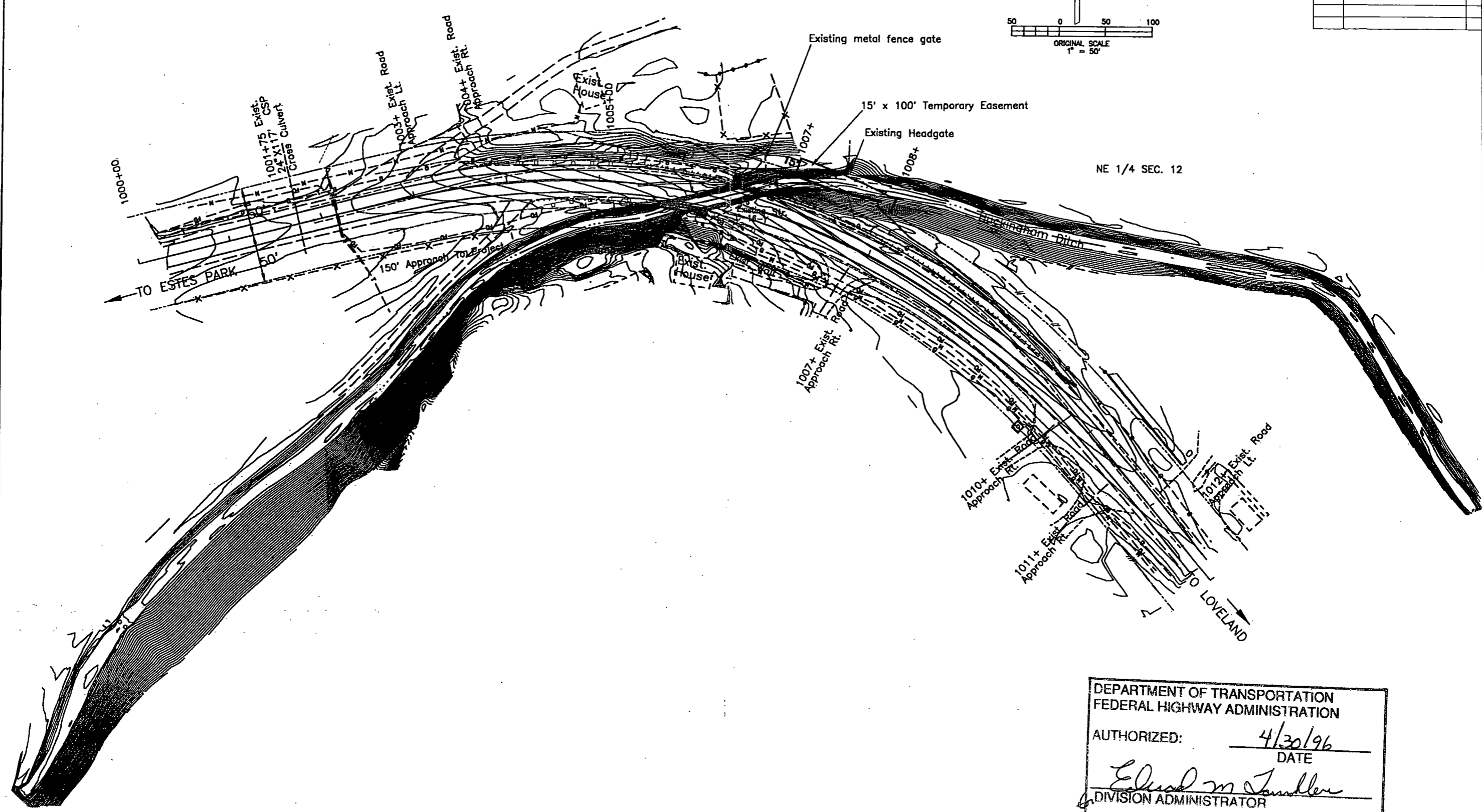
FED. ROAD REGION	DIV.	PROJ. NO.	SHEET NO.	TOTAL SHEETS
VIII	COLORADO	BR 034-1(37)		

REVISIONS	



RIGHT OF WAY
Various Bridge Locations

NE 1/4 SEC. 12



C:\acaddata\93268\sh5.dwg

DRAWN BY: Dan Michna

DEPARTMENT OF TRANSPORTATION
FEDERAL HIGHWAY ADMINISTRATION

AUTHORIZED: 4/30/96
DATE

Edward M. Jandl
DIVISION ADMINISTRATOR