

STATE DEPARTMENT OF HIGHWAYS DIVISION OF HIGHWAYS — STATE OF COLORADO

R.O.W. PLAN OF PROPOSED
FEDERAL AID PROJECT NO. Q/R 70-4(133)
STATE HIGHWAY NO. 70
DENVER COUNTY

FEDERAL ROAD REGION NO.	DIVISION	PROJ NO	SHEET NO	TOTAL SHEETS
VIII	COLORADO	Q/R 70-4(133)	1	1

REVISIONS	
4-18-88 Add Point No's	0
	0
	0
	0

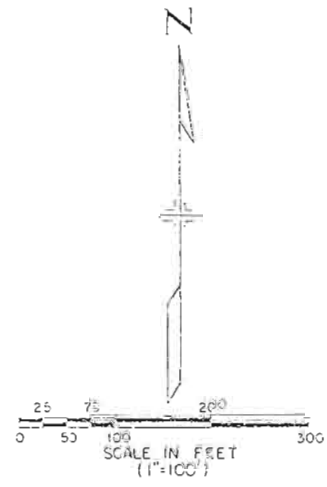
RIGHT OF WAY
QUEBEC at I-70

Parent Project
for I-70(133) 070-4(133)
Advanced Acquisition
83323

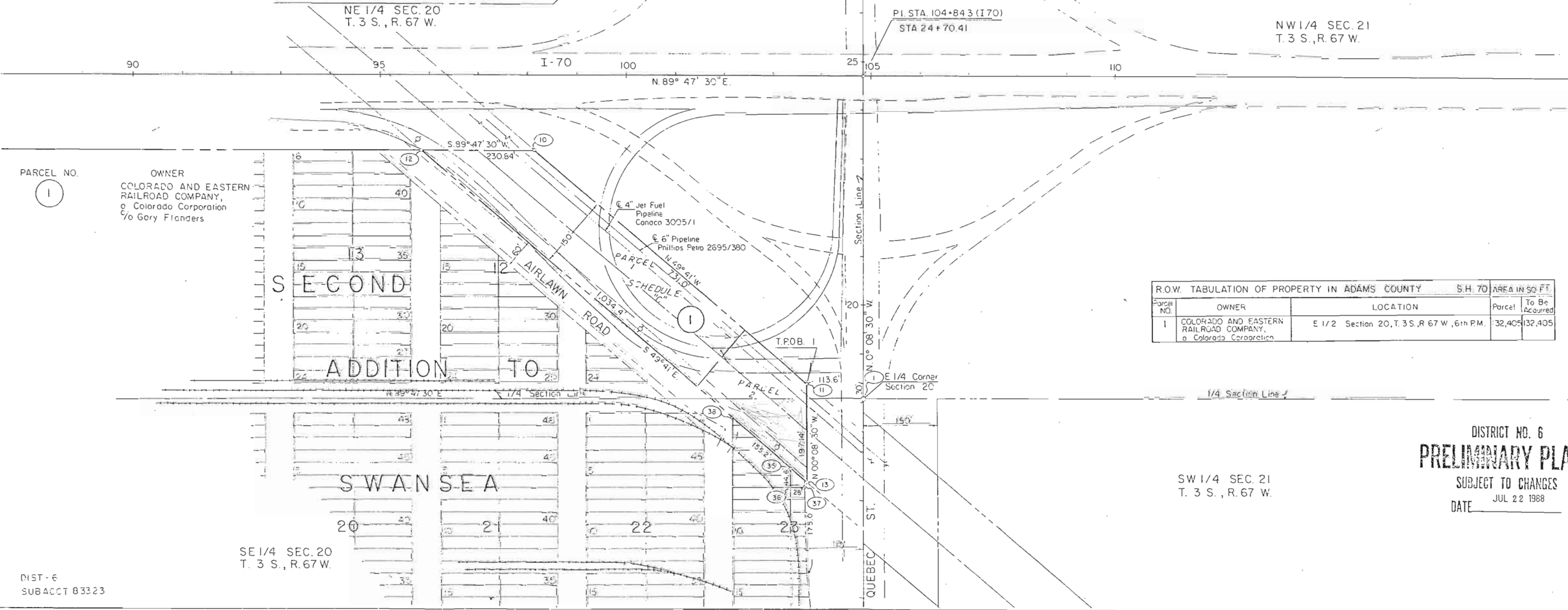
AD VAL VOUCHER PLANS

E. M. Jarmohlen

SIGNATURE



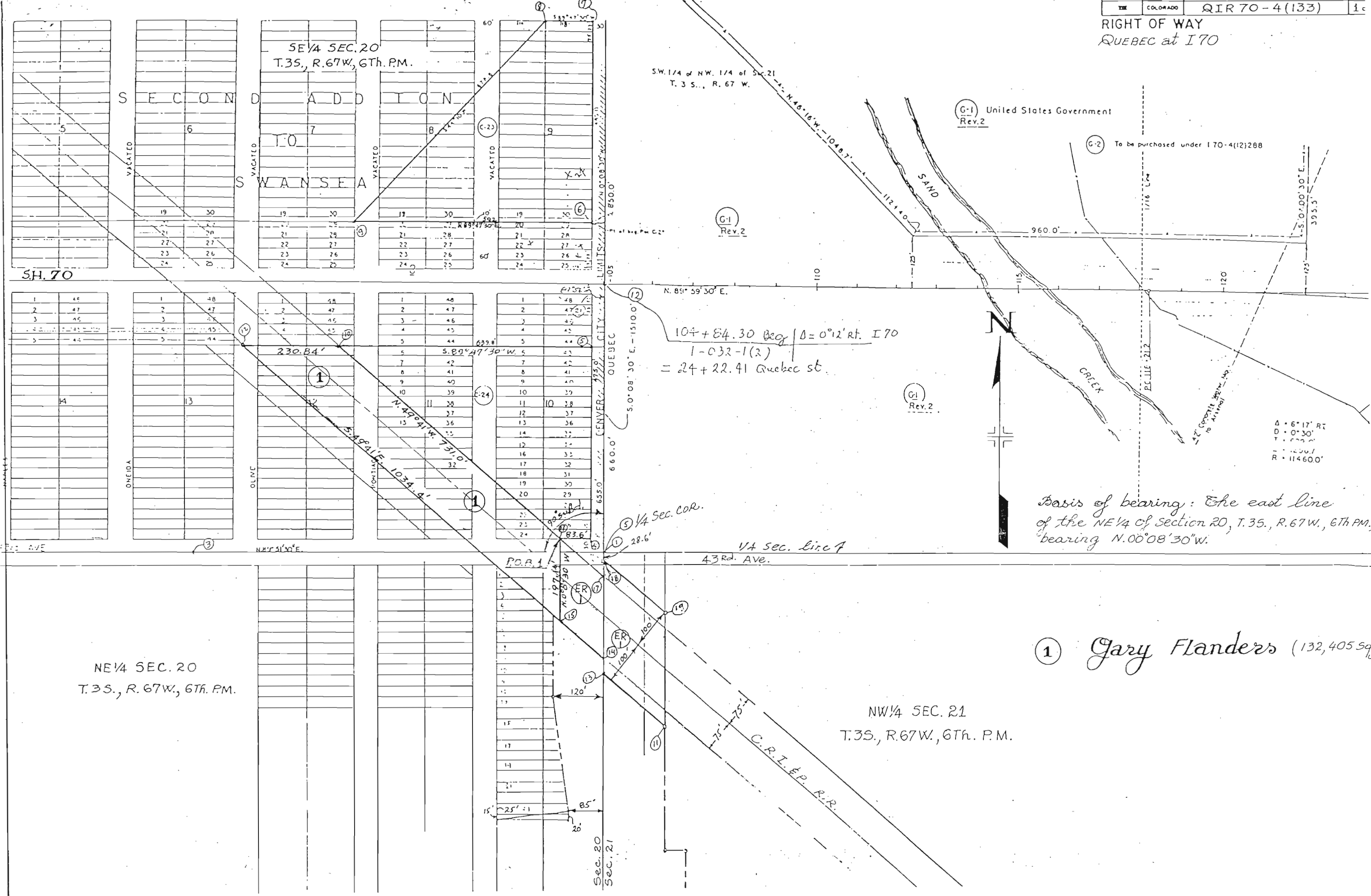
BASIS OF BEARINGS: The east line of the NE 1/4 of Section 20, T.3S., R.67W., 6th P.M., bearing N00°08'30"W.



R.O.W. TABULATION OF PROPERTY IN ADAMS COUNTY			S.H. 70	AREA IN SQ. FT.	
Parcel NO.	OWNER	LOCATION	Parcel	To Be Acquired	
1	COLORADO AND EASTERN RAILROAD COMPANY, a Colorado Corporation	E 1/2 Section 20, T.3S., R.67W., 6th P.M.	32,405	132,405	

DISTRICT NO. 6
PRELIMINARY PLANS
SUBJECT TO CHANGES
JUL 22 1988
DATE _____

RIGHT OF WAY
 QUEBEC at I70



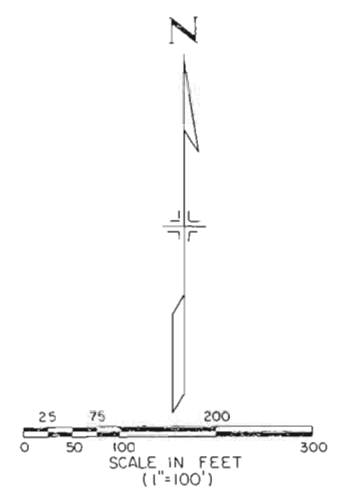
① Gary Flanders (132,405 sq)

Basis of bearing: The east line of the NE 1/4 of section 20, T. 35., R. 67W., 6TH. P.M. bearing N. 00° 08' 30" W.

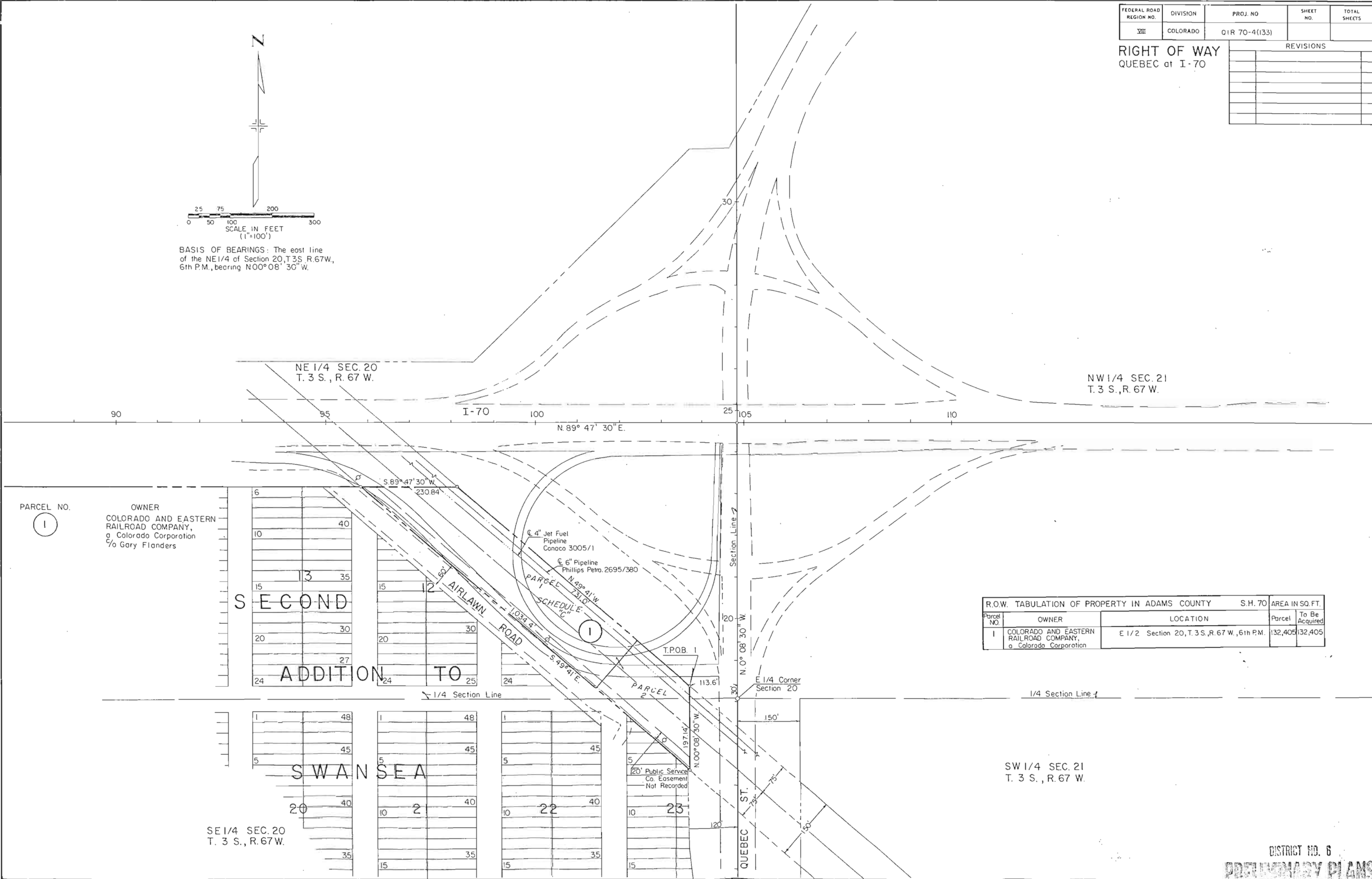
FEDERAL ROAD REGION NO.	DIVISION	PROJ. NO.	SHEET NO.	TOTAL SHEETS
VIII	COLORADO	01R 70-4(133)		

RIGHT OF WAY
QUEBEC at I-70

REVISIONS	



BASIS OF BEARINGS: The east line of the NE 1/4 of Section 20, T.3 S., R.67 W., 6th P.M., bearing N00°08'30" W.



PARCEL NO. 1
OWNER: COLORADO AND EASTERN RAILROAD COMPANY, a Colorado Corporation, c/o Gary Flanders

6	40
10	35
15	30
20	27
24	24

SECOND ADDITION TO SWANSEA

1	48
5	45
10	40
15	35

R.O.W. TABULATION OF PROPERTY IN ADAMS COUNTY		S.H. 70	AREA IN SQ. FT.
Parcel NO.	OWNER	LOCATION	Parcel To Be Acquired
1	COLORADO AND EASTERN RAILROAD COMPANY, a Colorado Corporation	E 1/2 Section 20, T.3 S., R.67 W., 6th P.M.	132,405 132,405

DISTRICT NO. 6
PRELIMINARY PLANS
SUBJECT TO CHANGE