

Received JANUARY 1988

See Standard M-100-1 for STANDARD SYMBOLS

STATE DEPARTMENT OF HIGHWAYS DIVISION OF HIGHWAYS—STATE OF COLORADO

FEDERAL ROAD REGION NO.	DIVISION	PROJECT NO.	SHEET NO.
VII	COLORADO	SR-0128 (4)	1

AS CONSTRUCTED

NO REVISIONS REVISED 10-21-87 VOID

REVISIONS		
1		
2		
3		

PLAN AND PROFILE OF ~~PROPOSED~~ FEDERAL AID PROJECT NO. SR 0128(4) STATE HIGHWAY NO. 128 JEFFERSON COUNTY

INDEX OF SHEETS

SHEET NO.

1. SKETCH MAP, TITLE PAGE AND TABULATION OF LENGTH AND DESIGN DATA
 2. STANDARD PLANS LIST
 3. TYPICAL SECTIONS
 - 4-5. SUMMARY OF APPROXIMATE QUANTITIES
 6. GENERAL NOTES, SUMMARY OF EARTHWORK AND TRAFFIC VOLUMES
 7. TABULATION OF SURFACING
 8. PLAN SHEET
 - 9-12. SIGNING AND STRIPING PLANS
- 2,3,8,10,
11,12 No REVISIONS

SCALES OF ORIGINAL DRAWINGS

ON PLAN, 1 IN. = 50 FT.

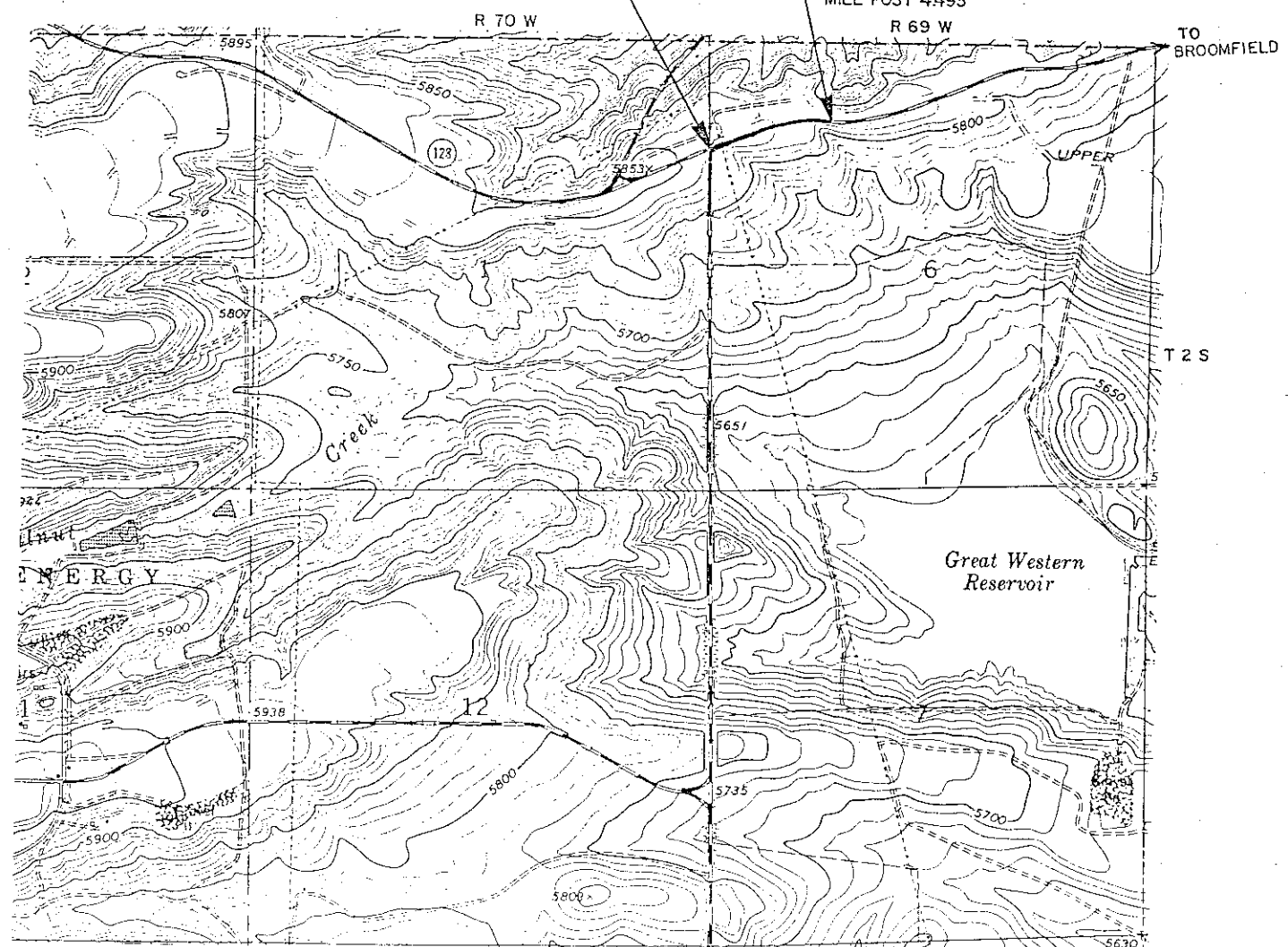
STA. 8+00 BEGIN PROJ. SR 0128(4) =
30' Rt. STA. 222+90 PROJ. S0022(2) =
MILE POST 4.216

STA. 22+60 END PROJ. SR 0128(4) =
MILE POST 4.493

TABULATION OF LENGTH AND DESIGN DATA

STATION	ROADWAY	
	LIN. FT.	MILES
<u>SH. 128</u>		
8+00 BEGIN PROJECT SR 0128(4)	1460.00	0.277
22+60 END PROJECT SR 0128(4)		
0+53 BEGIN INDIANA ST.	700.00	
7+53 END INDIANA ST.		
TOTAL GROSS AND NET LENGTH OF PROJECT	1460.00	0.277
DESIGN DATA S.H. 128		
MAXIMUM DEGREE OF CURVE	NA	
MAXIMUM GRADE	NA	
MAXIMUM DESIGN SPEED	60 MPH	
MINIMUM S.S.D. (HORIZONTAL)	NA	
MINIMUM S.S.D. (VERTICAL)	NA	
2007 DESIGN TRAFFIC VOLUME	ADT = 7600 DHV = 1680	

LENGTH BASED ON SH 128



0 500 1000 2000 3000
ORIGINAL SCALE 1" = 1000'

DIVISION OF HIGHWAYS

APPROVED:

Jamon F. Sibih 7-20-87
Asst. CHIEF ENGINEER DATE

AS CONSTRUCTED INFORMATION

CONTRACTOR Cat Construction Co. Inc.

Resident ENGINEER R. R. Hirschfeld
(Project or Resident)

PROJECT STARTED 9-28-87

PROJECT COMPLETED 10-21-87

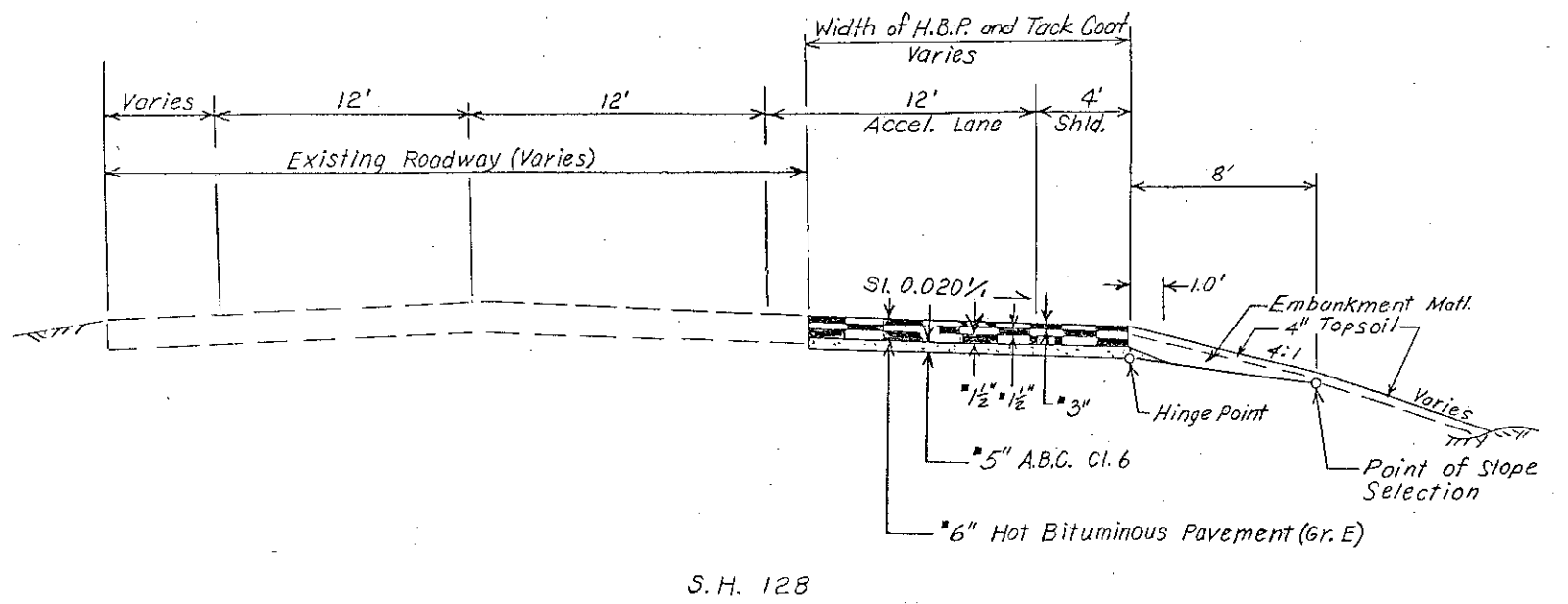
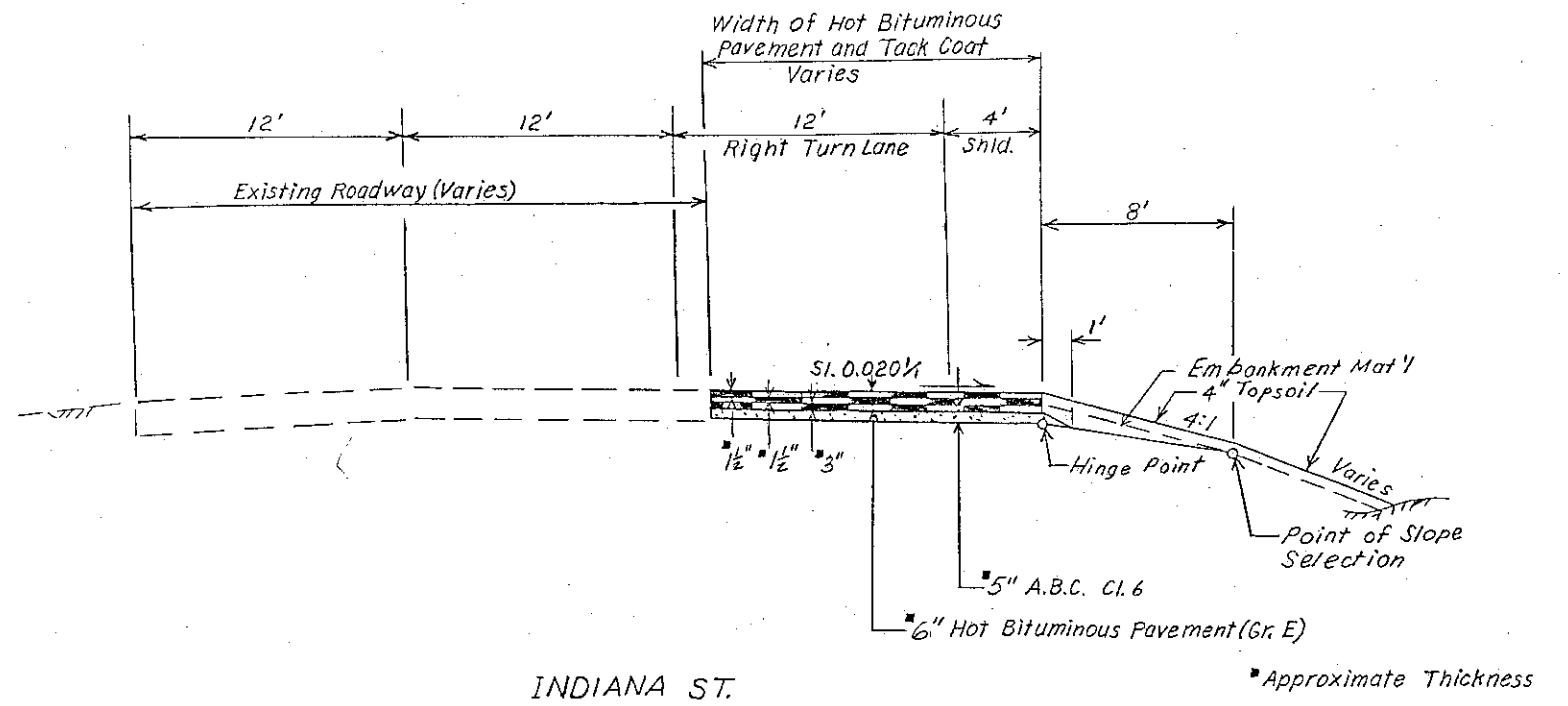
AS CONSTRUCTED PLANS APPROVED *[Signature]*

TITLE DATE

AS CONSTRUCTED		
NO REVISIONS	10-21-87	REVISED
		VOID

FED. ROAD REGION	DIVISION	PROJ. NO.	SHEET NO.	SHEET TOTALS
VIII	COLO.	SR 0128(4)	3	12

TYPICAL SECTIONS

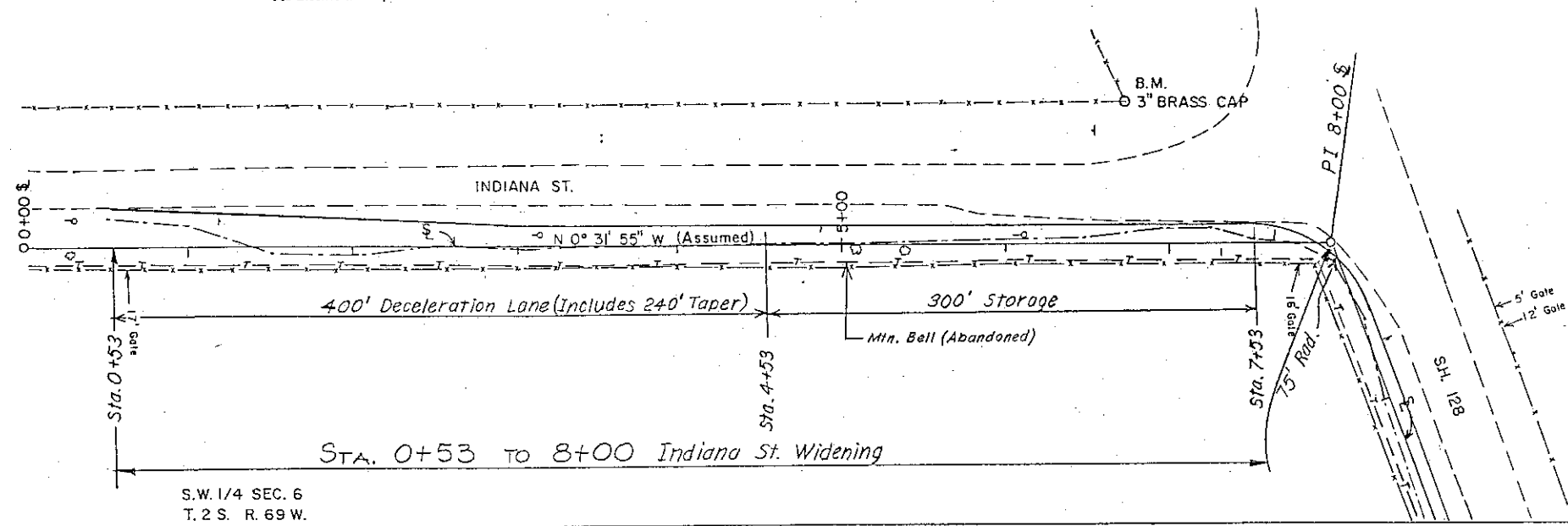
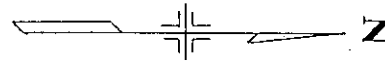


S.E. 1/4 SEC 1
 T.2 S. R. 70 W.

AS CONSTRUCTED		
NO REVISIONS	10-21-87	REVISED
		VOID

FED. ROAD REGION	DIVISION	PROJ. NO.	SHEET NO.	SHEET TOTALS
VIII	COLO.	SR 0128(4)	8	12

48 HOURS BEFORE YOU DIG
 CALL FOR THE BLUE STAKES
534-6700
 Denver Inter-utility Group
 Gas Electric & Telephone

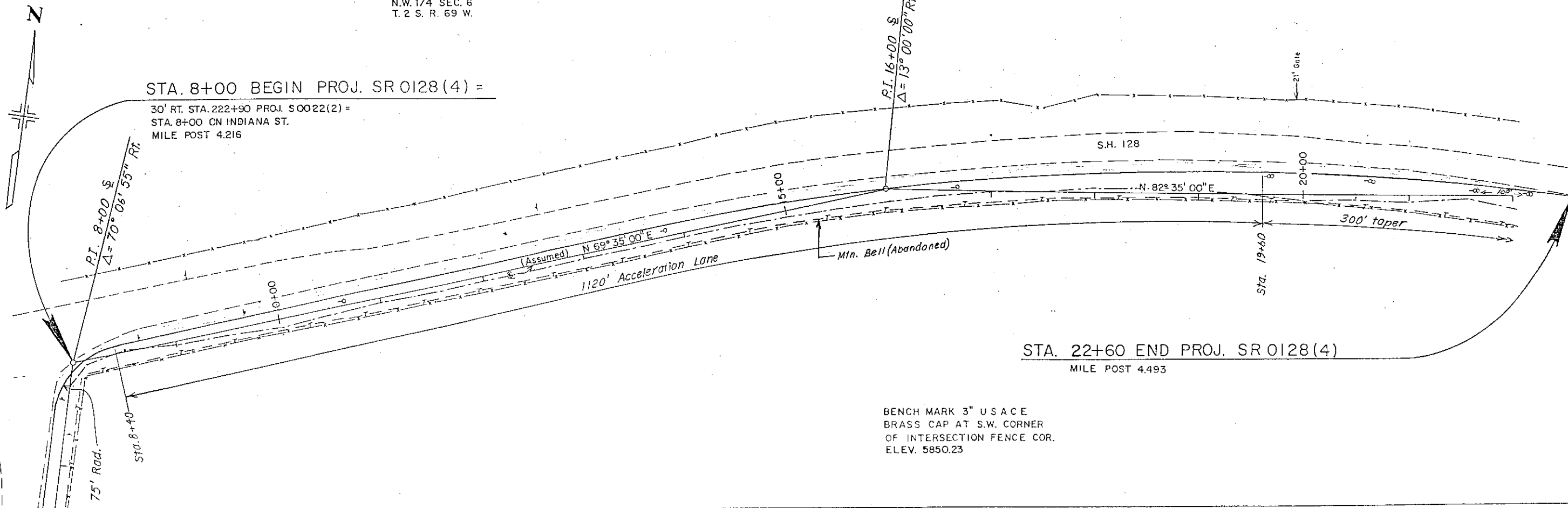


S.W. 1/4 SEC. 6
 T.2 S. R. 69 W.

N.W. 1/4 SEC. 6
 T.2 S. R. 69 W.

STA. 8+00 BEGIN PROJ. SR 0128(4) =

30' RT. STA. 222+90 PROJ. S 0022(2) =
 STA. 8+00 ON INDIANA ST.
 MILE POST 4.216



STA. 22+60 END PROJ. SR 0128(4)

MILE POST 4.493

BENCH MARK 3" USACE
 BRASS CAP AT S.W. CORNER
 OF INTERSECTION FENCE COR.
 ELEV. 5850.23

TELEPHONE 534-6700