

| Sheet Revisions | | |
|-----------------|--|-----|
| 4/04/02 | Added P 6A & 6B Delete SE-6 | SKV |
| 4/15/02 | Revise Parcel 1 1A, SE-1 SE-1A, TE-1 Add Parcel 1B | SKV |
| | SE-1B TE-1B SE-2C TE-2C | SKV |

| Computer File Information | |
|---|---------------|
| CREATION DATE: 7/7/2001 | INITIALS: EDC |
| LAST MODIFICATION DATE: 4/15/02 | INITIALS: SKV |
| FULL PATH: \\Projects\6844455\Task_06\CAD\Row\Plane | |
| DRAWING FILE NAME: TR119sheet.dwg | |
| SCALE: 1"=1 Mile UNITS: US Survey Feet | |
| URS Corporation | |
| Denver Colorado Tel (303) 694-2770 | |

| RIGHT OF WAY | |
|---------------------|----------------|
| TITLE SHEET | |
| STA 119A-046 | |
| SH 119 in Blackhawk | |
| PROJECT CODE 13507 | SHEET NUMBER 1 |

DEPARTMENT OF TRANSPORTATION STATE OF COLORADO

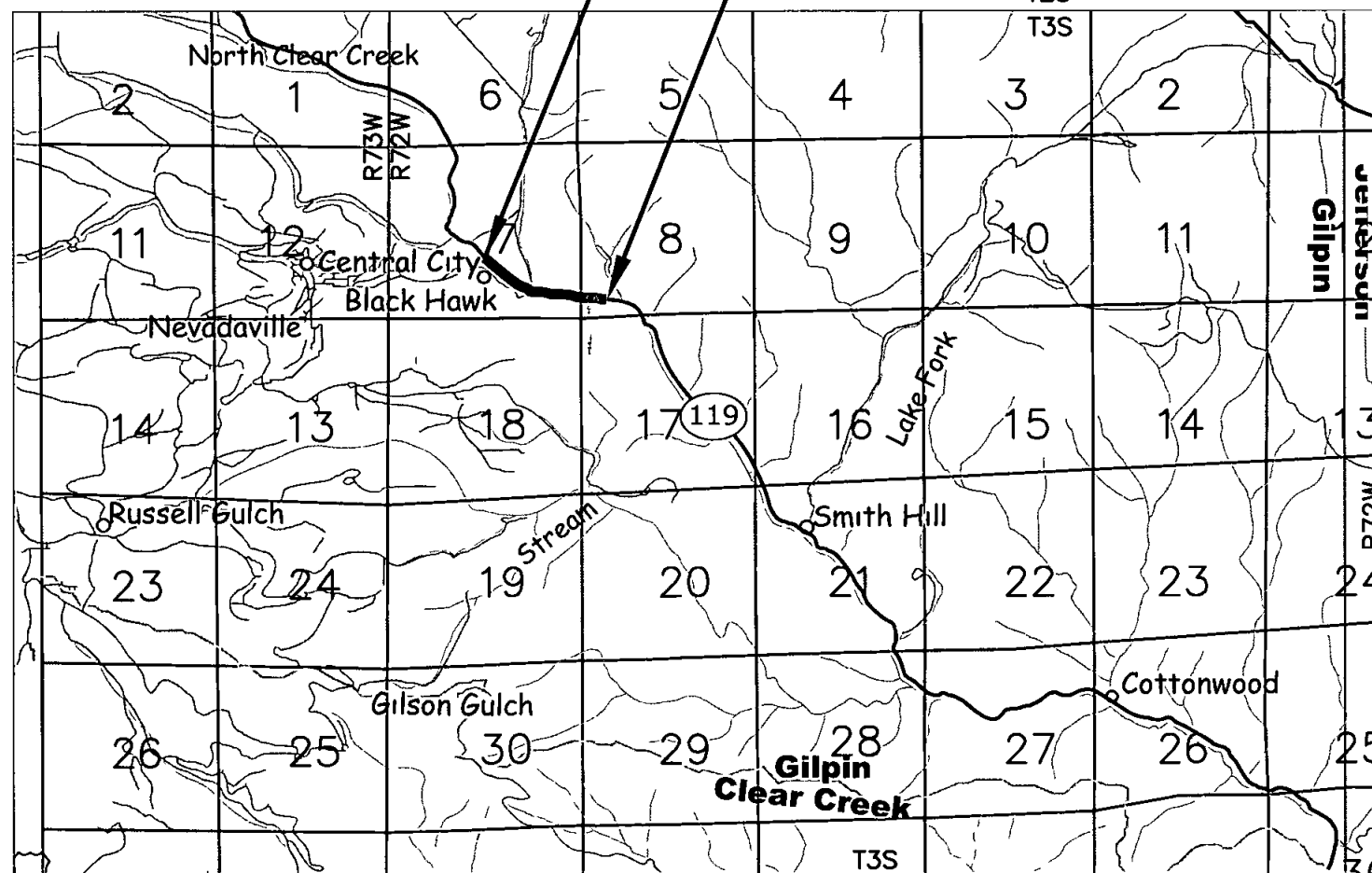
RIGHT OF WAY PLAN OF PROPOSED FEDERAL AID PROJECT NO STA 119A-046 STATE HIGHWAY NO 119 GILPIN COUNTY RIGHT OF WAY

| INDEX OF SHEETS | |
|-----------------|--------------------------|
| 1 | Title Sheet |
| 2 - 2B | Tabulation of Properties |
| 3 - 3G | Control Diagram |
| 4 - 4B | Monumentation Sheets |
| 5 - 7 | Plan Sheets |
| 8 | Ownership Maps |

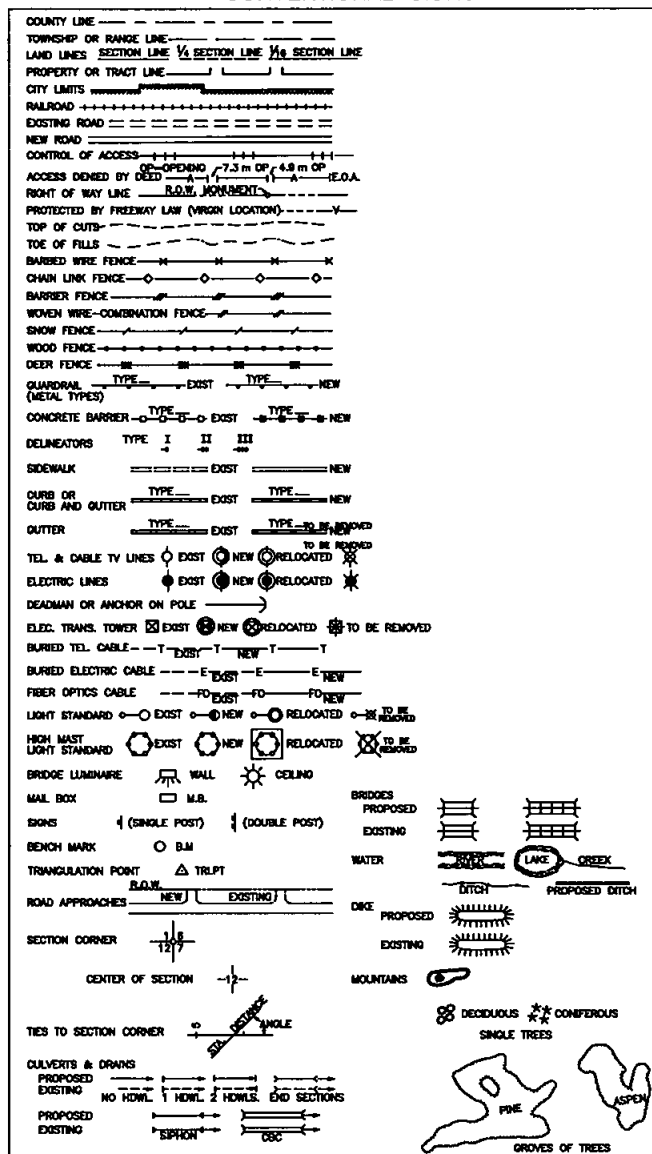
SCALES OF ORIGINAL 11x17 DRAWINGS
 PLAN SHEETS 1"=100
 OWNERSHIP MAP 1"=400
 ROW LENGTH OF PROJECT = 0.492 Miles

END ROW PROJ STA 119A-046
 STATION 129+85.95 M.P. 6.93 =
 STATION 826+56.56, WPSS 429-B(1)

BEGIN ROW PROJ. STA 119A-046
 STATION 103+86.89 M.P. 6.40 =
 STATION 852+70.02, WPSS 429-B(1)



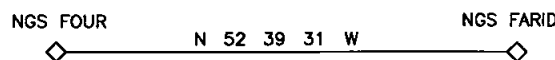
CONVENTIONAL SIGNS



All Measurements Are in English Units
 Unless Otherwise Noted

BASIS OF BEARINGS

Bearings used in the calculation of coordinates are based on a grid bearing of N 52 39 31 W from NGS FOUR to NGS FARID as shown on Survey Control Diagram Dated 12/21/1999 prepared for CDOT by Western States Surveying Inc



Date January 2002
 Region 1
 Project Code 13507



DEPARTMENT OF TRANSPORTATION
 FEDERAL HIGHWAY ADMINISTRATION

AUTHORIZED _____ DATE _____
 DIVISION ADMINISTRATOR

FILING CERTIFICATION
 DEPOSITED THIS _____ DAY OF _____ 19____ AT _____ M FOR INFORMATION
 ONLY IN BOOK _____ OF THE COUNTY LAND SURVEYS/RIGHT OF WAY
 SURVEYS AT PAGE _____ RECEPTION NUMBER _____

SIGNED _____
 DEPT _____



Colorado Department of Transportation

Region 1
18500 E Colfax Avenue
Aurora CO 80011
Phone (303) 757 9117 Fax (303) 757 9746

Right Of Way Plans Unit Kevin Williams

| Sheet Revisions | | Sheet Revisions | | Sheet Revisions | |
|-----------------|-------------------------------|-----------------|--|-----------------|--|
| 5/15/2002 | Revise Parcel 1 1A SE 1 SE 1A | | | | |
| | Add Parcel 1B SE 1B | SKV | | | |
| | | | | | |
| | | | | | |
| | | | | | |
| | | | | | |

| Right Of Way | | | | |
|-----------------------------|--|--|--|--|
| Tabulation Of Properties | | | | |
| STA 119A-046 (ROW)/ (const) | | | | |
| SH 119, In Black Hawk | | | | |

R.O.W. TABULATION OF PROPERTIES IN GILPIN COUNTY S.H. NO. 119

| Project Code | Last Mod Date | Subset Sheets | Sheet No | Total No of Sheets |
|--------------|---------------|---------------|----------|--------------------|
| 13507 | 4/15/2002 | 2 of 2B | 2 | XXX |

| Parcel No | Owner | Address | Location | Area In Square Feet | | | | Book-Page | Remarks |
|-----------|---|-----------------------------|----------------------------------|---------------------|--------------|-----------|------------|-----------|---|
| | | | | Area Of Parcel | Existing ROW | Net Area | Remainder | | |
| | | | | | | | Left Right | | |
| | | | T 3 S R 72 W 6th P M | | | | | | |
| 1 Rev | JPS No 1 L L C a Delaware Limited Liability Company | 2560 Mission College Blvd | SE 1/4 of Section 7 | 28 919 sf | | 28 919 sf | | 3 24+ ac | 777 Vesting Deed Dated July 30 1999 Recorded August 2, 1999 as Book 675 |
| | | Suite 101 | Lot 2 Jackpot Springs Casino | | | | | @ 471 | Page 408 595 Sq Ft of Parcel 1 lies within the Gaming District |
| | | Santa Clara CA 95054 | Final Plat | | | | | | |
| 1A Rev | JPS No 2 L L C a Delaware Limited Liability Company | 2560 Mission College Blvd , | SE 1/4 of Section 7 Including | 13,194 sf | | 13 194 sf | | 0 12+ ac | 777 Vesting Deed Dated July 30 1999 Recorded August 2, 1999 as Book 675 |
| | | Suite 101 | Parts of Mill Sites 38 & 40 | | | | | @ 466 | Page 440 11 913 Sq Ft of Parcel 1A lies within the Gaming District |
| | | Santa Clara CA 95054 | Randolph & Sullivan Mill Site ar | | | | | | |
| | | | New York & Colorado Mill Site | | | | | | |
| 1B | JPS No 1 L L C a Delaware Limited Liability Company | 2560 Mission College Blvd | SE 1/4 of Section 7 | 263 sf | | 263 sf | | 20 96+ ac | 777 Remainder area includes both Lot 1 & Lot 3 |
| | | Suite 101 | Lot 1 Jackpot Springs Casino | | | | | @ 478 | |
| | | Santa Clara CA 95054 | Final Plat | | | | | | |
| SE 1 Rev | JPS No 1 L L C a Delaware Limited Liability Company | 2560 Mission College Blvd | SE 1/4 of Section 7 | 42 585 sf | | 42 585 sf | | | 777 Slope Easement for the Construction and Maintenance of Highway Slopes |
| | | Suite 101 | Lot 2 Jackpot Springs Casino | | | | | @ 491 | |
| | | Santa Clara CA 95054 | Final Plat | | | | | | |
| SE 1A Rev | JPS No 2 L L C , a Delaware Limited Liability Company | 2560 Mission College Blvd | SE 1/4 of Section 7 Including | 5 077 sf | | 5 077 sf | | 0 12+ ac | 777 Slope Easement for the Construction and Maintenance of Highway Slopes |
| | | Suite 101 | Parts of Mill Sites 38 & 40 | | | | | @ 480 | 2 468 Sq Ft of Parcel SE 1A lies within the Gaming District |
| | | Santa Clara CA 95054 | Randolph & Sullivan Mill Site ar | | | | | | |
| | | | New York & Colorado Mill Site | | | | | | |
| SE 1B | JPS No 1, L L C a Delaware Limited Liability Company | 2560 Mission College Blvd , | SE 1/4 of Section 7 | 5 931 sf | | 5 931 sf | | | 777 Slope Easement for the Construction and Maintenance of Highway Slopes |
| | | Suite 101 | Lot 1 Jackpot Springs Casino | | | | | @ 491 | |
| | | Santa Clara CA 95054 | Final Plat | | | | | | |

Sat Jun 05 11:07:13 MST 2002 sda fe D:\PC\W\Tab\Bas\Bas\119\RW\13507a.d 1 Project Code: 13507



Colorado Department of Transportation

Region 1
18500 E Colfax Avenue
Aurora CO 80011
Phone (303) 757 9117 Fax (303) 757 9746

Right Of Way Plans Unit Kevin Williams

| Sheet Revisions | | | | Sheet Revisions | | | | Sheet Revisions | | | | | |
|-----------------|--------|------|-----------------------|-----------------|--|--|--|-----------------|--|--|--|--|--|
| 4/15/2002 | Revise | TE-1 | Add TE 1B SE-2C TE 2C | | | | | | | | | | |
| | | | | | | | | | | | | | |
| | | | | | | | | | | | | | |
| | | | | | | | | | | | | | |
| | | | | | | | | | | | | | |

| Right Of Way | | | | |
|------------------------------------|--|--|--|--|
| Tabulation Of Properties | | | | |
| STA 119A-046 (ROW)/ (const) | | | | |
| SH 119, In Black Hawk | | | | |

R.O.W. TABULATION OF PROPERTIES IN GILPIN COUNTY S.H. NO. 119

| Project Code | Last Mod Date | Subset Sheets | Sheet No | Total No of Sheets |
|--------------|---------------|---------------|----------|--------------------|
| 13507 | 4/15/2002 | 2A of 2B | 2A | XXX |

| Parcel No | Owner | Address | Location | Area In Square Feet | | | | | Book-Page | Remarks |
|-----------|---|--|---|---------------------|--------------|------------|-----------|-----------|------------------|--|
| | | | | Area Of Parcel | Existing ROW | Net Area | Remainder | | | |
| | | | | | | | Left | Right | | |
| | | | T 3 S R 72 W 6th P M | | | | | | | |
| TE 1 Rev | JPS No 1 L L C a Delaware Limited Liability Company | 2560 Mission College Blvd Suite 101 Santa Clara CA 95054 | SE 1/4 of Section 7 Lot 2 Jackpot Springs Casino Final Plat | 52 821 sf | | 52,821 sf | | | | Temporary Easement for Construction Work Area and Rock Fall Protection |
| TE 1B | JPS No 1 L L C a Delaware Limited Liability Company | 2560 Mission College Blvd Suite 101 Santa Clara CA 95054 | SE 1/4 of Section 7 Lot 1 Jackpot Springs Casino Final Plat | 66 207 sf | | 66 207 sf | | | | Temporary Easement for Construction Work Area and Rock Fall Protection |
| SE 2 | City of Black Hawk Colorado | Black Hawk, CO 80422 | SE 1/4 of Section 7 | 11 430 sf | | 11 430 sf | | 4 1+ ac | Recp# 1164 83 | Slope Easement for the Construction and Maintenance of Highway Slopes |
| SE 2A | City of Black Hawk Colorado | Black Hawk CO 80422 | SE 1/4 of Section 7 | 1 246 sf | | 1 246 sf | | See SE 2 | Recp# 1164 83 | Slope Easement for the Construction and Maintenance of Highway Slopes |
| SE 2B | City of Black Hawk, Colorado | Black Hawk CO 80422 | SE 1/4 of Section 7 | 11,639 sf | | 11,639 sf | | 0 277+ ac | Recp# 1164 83 | Slope Easement for the Construction and Maintenance of Highway Slopes |
| SE 2C | City of Black Hawk Colorado | Black Hawk CO 80422 | SE 1/4 of Section 7 | 1 903 sf | | 1,903 sf | | See SE 2 | Recp# 1164 84 | Slope Easement for the Construction and Maintenance of Highway Slopes |
| TE 2 | City of Black Hawk Colorado | Black Hawk CO 80422 | SE 1/4 of Section 7 | 86 872 sf | | 86,872 sf | | See SE 2 | | Temporary Easement for Construction Work Area and Rock Fall Protection |
| TE-2A | City of Black Hawk Colorado | Black Hawk CO 80422 | SE 1/4 of Section 7 | 406 sf | | 406 sf | | See SE 2B | | Temporary Easement for Construction Work Area and Rock Fall Protection |
| TE 2B | City of Black Hawk Colorado | Black Hawk CO 80422 | SE 1/4 of Section 7 | 65 257 sf | | 65 257 sf | | 3 6+ ac | | Temporary Easement for Construction Work Area and Rock Fall Protection |
| TE-2C | City of Black Hawk Colorado | Black Hawk CO 80422 | SE 1/4 of Section 7 | 105 186 sf | | 105 186 sf | | 19 30+ ac | | Temporary Easement for Construction Work Area and Rock Fall Protection |

San Jan 05 11 07 13 MST 2002 data file D:\PC\W\Tabulation\SH119\RW\13507a.dwg Project Code 13507



Colorado Department of Transportation

Region I
18500 E. Colfax Avenue
Aurora CO 80011
Phone (303) 757 9117 Fax (303) 757 9746

Right Of Way Plans Unit Kevin Williams

| Sheet Revisions | | | Sheet Revisions | | | Sheet Revisions | | |
|-----------------|-------------------------|-----|-----------------|--|--|-----------------|--|--|
| 4/4/2002 | Add 6A & 6B Delete SE 6 | SKV | | | | | | |
| | | | | | | | | |
| | | | | | | | | |
| | | | | | | | | |
| | | | | | | | | |

| Right Of Way | | | | |
|------------------------------------|--|--|--|--|
| Tabulation Of Properties | | | | |
| STA 119A-046 (ROW)/ (const) | | | | |
| SH 119, In Black Hawk | | | | |

R.O.W. TABULATION OF PROPERTIES IN GILPIN COUNTY S.H. NO. 119

| Project Code | Last Mod Date | Subset Sheets | Sheet No | Total No of Sheets |
|--------------|---------------|---------------|----------|--------------------|
| 13507 | 4/15/2002 | 2B of 2B | 2B | XXX |

| Parcel No | Owner | Address | Location | Area In Square Feet | | | | Book-Page | Remarks | |
|-----------|---|--|---|---------------------|--------------|------------|-----------|---------------------|---|-------|
| | | | | Area Of Parcel | Existing ROW | Net Area | Remainder | | | |
| | | | | | | | Left | | | Right |
| | | | T 3 S R 72 W 6th PM | | | | | | | |
| SE 3 | FIRST PLACE L L C a Colorado limited liability company | 1406 Larimer Street Suite 200 Denver CO 80202 | Portion of Mill Site 38 in the SE 1/4 of Section 7 | 13 042 sf | | 13 042 sf | | 13,042+/- sf | Slope Easement for the Construction and Maintenance of Highway Slopes Vesting Deed Dated July 28 1999 Recorded December 08 1999 as Book 684 Page 139 Re Recorded Dec 22 1999 as Book 685 Page 1 | |
| SE-4 | Windsor Woodmont Black Hawk Resort Corp a Colorado Corporation | 2231 Valdina Street Dallas TX 75207 | SE 1/4 of Section 7 | 15 081 sf | | 15 081 sf | | 92+/- ac @ 144 | Slope Easement for the Construction and Maintenance of Highway Slopes Remainder Area includes Tracts I II III & IV Vesting Deed Dated March 14, 2000 Recorded March 22 2000 as Book 690 Page 157 | |
| SE-4A | Windsor Woodmont Black Hawk Resort Corp a Colorado Corporation | 2231 Valdina Street Dallas, TX 75207 | SE 1/4 of Section 7 | 22 032 sf | | 22 032 sf | | See SE 4 @ 144 | Slope Easement for the Construction and Maintenance of Highway Slopes | |
| TE-4 | Windsor Woodmont Black Hawk Resort Corp a Colorado Corporation | 2231 Valdina Street Dallas TX 75207 | SE 1/4 of Section 7 | 108 654 sf | | 108 654 sf | | See SE-4 | Temporary Easement for Construction Work Area and Rock Fall Protection | |
| SE 5 | Richman Properties Limited Liability Company a Limited Liability Company | 101 Richman Street P O Box 800 Black Hawk CO 80422 | S 1/2 of Section 7 | 747 sf | | 747 sf | | 0 35+/- ac @ 464 | Slope Easement for the Construction and Maintenance of Highway Slopes | |
| 6 | FIRST PLACE LLC a Colorado limited liability company | 1406 Larimer Street Suite 200 Denver CO 80202 | Portion of Mill Site 38 in the SE 1/4 of Section 7 | 23 888 sf | 4528 sf | 19 360 sf | | 94+/- sf | Quit Claim Deed of Highway ROW from Gilpin County to First Place LLC without Colorado Transportation Commission Approval Vesting Deed Dated Dec 6 1999 Recorded December 08 1999 as Book 684 Page 146 | |
| 6A | FIRST PLACE LLC a Colorado limited liability company | 1406 Larimer Street | Portion of Mill Site 38 in the | 46 sf | | 46 sf | | See Par 6 | | |
| 6B | | Suite 200 Denver CO 80202 | SE 1/4 of Section 7 | 48 sf | | 48 sf | | See Par 6 | | |

CONTROL SURVEY DIAGRAM

COLORADO DEPARTMENT OF TRANSPORTATION

PROJECT NO STR 0119-044

SR 119 - HWY 6 to BLACKHAWK (MP 0 05-MP 7 30)

SECTIONS 7 8, 17 20 21 26 27 28 35 & 36 T 3 S R 72 W 6th P M

GILPIN COUNTY COLORADO

SHEET 1 OF 4

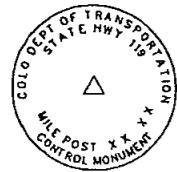
GPS COORDINATE SUMMARY TABLE (ADJUSTED FIELD DATA)

PROJECT COORDINATE SUMMARY TABLE (ADJUSTED FIELD DATA)

| POINT NAME | GEODEIC COORDINATES NAD-83(92) (CHARN) | | | ELEV m (NAVD 88) | MAPPING ANGLE | SCALE | NAD 83(92) ZONE 0502 | | DESCRIPTION | POINT NO | NAD 83(92) ZONE 0502 | | ELEV m (NAVD 88) | PROJECT COORDINATES | | ELEV ft (NAVD 88) |
|--------------------------------|---|---------------------|------------|------------------------|------------------|------------|----------------------|------------------------------------|-------------|-------------|----------------------|------------|------------------------|---------------------|-------------|-------------------------|
| | LATITUDE | LONGITUDE | NORTHING m | | | | EASTING m | NORTHING ft | | | EASTING ft | | | | | |
| | | | | | | | | | | | | NORTHING m | | EASTING m | NORTHING ft | |
| CM-MP 0 05 GPS PROJECT STATION | 39° 44' 52.0154" N | 105° 23' 53.3054" W | 2108.453 | 0° 03' 51.270" | 0.999999562 | 517330.632 | 923131.920 | SET CDOT TYPE 2 CONTROL MONUMENT | 5 | 517330.632 | 923131.920 | 2108.453 | 1697871.181 | 3029704.769 | 6917.484 | |
| CM-MP 0 20 GPS PROJECT STATION | 39° 45' 00.2482" N | 105° 23' 55.8765" W | 2115.715 | 0° 03' 49.649" | 1.000000014 | 517584.481 | 923070.423 | FOUND CDOT TYPE 2 CONTROL MONUMENT | 20 | 517584.481 | 923070.423 | 2115.715 | 1698704.310 | 3029502.939 | 6941.309 | |
| CM-MP 0 40 GPS PROJECT STATION | 39° 45' 07.5788" N | 105° 23' 59.1849" W | 2123.192 | 0° 03' 47.562" | 1.000000047 | 517810.480 | 922991.411 | FOUND CDOT TYPE 2 CONTROL MONUMENT | 40 | 517810.480 | 922991.411 | 2123.192 | 1699446.034 | 3029243.620 | 6965.839 | |
| CM-MP 0 60 GPS PROJECT STATION | 39° 45' 11.6239" N | 105° 24' 07.4351" W | 2128.961 | 0° 03' 42.359" | 1.000000060 | 517935.026 | 922794.874 | SET CDOT TYPE 2 CONTROL MONUMENT | 60 | 517935.026 | 922794.874 | 2128.961 | 1699854.793 | 3028598.591 | 6984.765 | |
| CM-MP 0 75 GPS PROJECT STATION | 39° 45' 15.6387" N | 105° 24' 13.8215" W | 2134.208 | 0° 03' 38.331" | 1.000000082 | 518058.690 | 922642.708 | SET CDOT TYPE 2 CONTROL MONUMENT | 75 | 518058.690 | 922642.708 | 2134.208 | 1700260.657 | 3028099.184 | 7001.981 | |
| CM-MP 0 85 GPS PROJECT STATION | 39° 45' 17.4910" N | 105° 24' 21.6607" W | 2140.491 | 0° 03' 33.877" | 1.000000095 | 518115.617 | 922456.036 | SET CDOT TYPE 2 CONTROL MONUMENT | 85 | 518115.617 | 922456.036 | 2140.491 | 1700447.489 | 3027486.528 | 7022.593 | |
| CM-MP 1 00 GPS PROJECT STATION | 39° 45' 19.3062" N | 105° 24' 32.7901" W | 2149.561 | 0° 03' 26.368" | 1.000001065 | 518171.335 | 922191.043 | SET CDOT TYPE 2 CONTROL MONUMENT | 100 | 518171.335 | 922191.043 | 2149.561 | 1700630.356 | 3026616.825 | 7052.353 | |
| CM-MP 1 15 GPS PROJECT STATION | 39° 45' 27.7433" N | 105° 24' 38.6333" W | 2155.548 | 0° 03' 22.682" | 1.000001534 | 518431.411 | 922051.692 | SET CDOT TYPE 2 CONTROL MONUMENT | 115 | 518431.411 | 922051.692 | 2155.548 | 1701483.920 | 3026159.478 | 7071.995 | |
| CM-MP 1 30 GPS PROJECT STATION | 39° 45' 31.7996" N | 105° 24' 45.5657" W | 2160.280 | 0° 03' 18.310" | 1.000001759 | 518556.352 | 921886.552 | SET CDOT TYPE 2 CONTROL MONUMENT | 130 | 518556.352 | 921886.552 | 2160.280 | 1701893.974 | 3025617.490 | 7087.517 | |
| CM-MP 1 45 GPS PROJECT STATION | 39° 45' 38.8388" N | 105° 24' 57.3934" W | 2175.185 | 0° 03' 10.851" | 1.000002152 | 518773.189 | 921604.808 | SET CDOT TYPE 2 CONTROL MONUMENT | 145 | 518773.189 | 921604.808 | 2175.185 | 1702605.632 | 3024692.811 | 7136.419 | |
| CM-MP 1 60 GPS PROJECT STATION | 39° 45' 40.6272" N | 105° 25' 06.6404" W | 2178.176 | 0° 03' 05.019" | 1.000002252 | 518828.143 | 921384.652 | SET CDOT TYPE 2 CONTROL MONUMENT | 165 | 518828.143 | 921384.652 | 2178.176 | 1702785.990 | 3023970.265 | 7146.233 | |
| CM-MP 1 75 GPS PROJECT STATION | 39° 45' 45.2412" N | 105° 25' 15.8858" W | 2186.403 | 0° 02' 59.188" | 1.000002265 | 518835.143 | 921164.581 | SET CDOT TYPE 2 CONTROL MONUMENT | 175 | 518835.143 | 921164.581 | 2186.403 | 1702808.962 | 3023247.995 | 7173.225 | |
| CM-MP 2 10 GPS PROJECT STATION | 39° 45' 49.7516" N | 105° 25' 25.8319" W | 2195.274 | 0° 02' 52.915" | 1.000002510 | 518970.054 | 920927.723 | SET CDOT TYPE 2 CONTROL MONUMENT | 190 | 518970.054 | 920927.723 | 2195.274 | 1703251.737 | 3022470.629 | 7202.327 | |
| CM-MP 2 20 GPS PROJECT STATION | 39° 45' 48.1161" N | 105° 25' 33.7945" W | 2205.150 | 0° 02' 46.229" | 1.000002763 | 519108.953 | 920753.277 | SET CDOT TYPE 2 CONTROL MONUMENT | 210 | 519108.953 | 920753.277 | 2205.150 | 1703707.602 | 3021642.104 | 7234.910 | |
| CM-MP 2 30 GPS PROJECT STATION | 39° 45' 49.1498" N | 105° 25' 41.2306" W | 2214.074 | 0° 02' 41.586" | 1.000002672 | 519058.374 | 920500.092 | SET CDOT TYPE 2 CONTROL MONUMENT | 220 | 519058.374 | 920500.092 | 2214.074 | 1703541.605 | 3021067.151 | 7254.415 | |
| CM-MP 2 40 GPS PROJECT STATION | 39° 45' 46.7257" N | 105° 25' 54.6179" W | 2215.650 | 0° 02' 36.896" | 1.000002729 | 519090.112 | 920323.072 | SET CDOT TYPE 2 CONTROL MONUMENT | 230 | 519090.112 | 920323.072 | 2215.650 | 1703645.766 | 3020486.173 | 7264.007 | |
| CM-MP 2 50 GPS PROJECT STATION | 39° 45' 44.1147" N | 105° 26' 01.3489" W | 2220.854 | 0° 02' 30.515" | 1.000002594 | 519015.285 | 920242.510 | SET CDOT TYPE 2 CONTROL MONUMENT | 240 | 519015.285 | 920242.510 | 2220.854 | 1703400.186 | 3020221.769 | 7269.178 | |
| CM-MP 2 60 GPS PROJECT STATION | 39° 45' 43.8454" N | 105° 26' 08.0453" W | 2225.615 | 0° 02' 26.291" | 1.000002447 | 518934.641 | 920082.352 | SET CDOT TYPE 2 CONTROL MONUMENT | 250 | 518934.641 | 920082.352 | 2225.615 | 1703135.513 | 3019696.134 | 7286.253 | |
| CM-MP 2 70 GPS PROJECT STATION | 39° 45' 41.3128" N | 105° 26' 11.2573" W | 2231.636 | 0° 02' 24.266" | 1.000002290 | 518848.057 | 919846.567 | SET CDOT TYPE 2 CONTROL MONUMENT | 260 | 518848.057 | 919846.567 | 2231.636 | 1702851.347 | 3018922.291 | 7321.626 | |
| CM-MP 2 80 GPS PROJECT STATION | 39° 45' 39.6464" N | 105° 26' 15.1636" W | 2235.502 | 0° 02' 21.802" | 1.000002197 | 518796.598 | 919753.621 | SET CDOT TYPE 2 CONTROL MONUMENT | 270 | 518796.598 | 919753.621 | 2235.502 | 1702682.458 | 3018617.245 | 7334.310 | |
| CM-MP 2 90 GPS PROJECT STATION | 39° 45' 42.7013" N | 105° 26' 21.7709" W | 2239.969 | 0° 02' 17.635" | 1.000002368 | 518890.711 | 919596.285 | SET CDOT TYPE 2 CONTROL MONUMENT | 280 | 518890.711 | 919596.285 | 2239.969 | 1702991.335 | 3018100.871 | 7348.965 | |
| CM-MP 3 15 GPS PROJECT STATION | 39° 45' 48.4304" N | 105° 26' 34.4619" W | 2251.761 | 0° 02' 09.631" | 1.000002689 | 519067.211 | 919294.092 | SET CDOT TYPE 2 CONTROL MONUMENT | 290 | 519067.211 | 919294.092 | 2251.761 | 1703570.608 | 3017109.078 | 7387.654 | |
| CM-MP 3 25 GPS PROJECT STATION | 39° 45' 48.9769" N | 105° 26' 41.4648" W | 2258.812 | 0° 02' 05.214" | 1.000002720 | 519083.965 | 919127.392 | SET CDOT TYPE 2 CONTROL MONUMENT | 315 | 519083.965 | 919127.392 | 2258.812 | 1703625.593 | 3016561.971 | 7410.785 | |
| CM-MP 3 40 GPS PROJECT STATION | 39° 45' 55.5431" N | 105° 26' 51.1986" W | 2269.749 | 0° 01' 59.075" | 1.000003089 | 519286.339 | 918895.592 | SET CDOT TYPE 2 CONTROL MONUMENT | 325 | 519286.339 | 918895.592 | 2269.749 | 1704289.783 | 3015801.205 | 7446.669 | |
| CM-MP 3 60 GPS PROJECT STATION | 39° 46' 02.4104" N | 105° 26' 54.6503" W | 2277.704 | 0° 01' 56.898" | 1.000003476 | 519498.088 | 918813.318 | SET CDOT TYPE 2 CONTROL MONUMENT | 340 | 519498.088 | 918813.318 | 2277.704 | 1704984.738 | 3015531.184 | 7472.767 | |
| CM-MP 3 75 GPS PROJECT STATION | 39° 46' 06.0570" N | 105° 26' 52.9527" W | 2279.987 | 0° 01' 57.969" | 1.000003682 | 519610.575 | 918853.656 | SET CDOT TYPE 2 CONTROL MONUMENT | 360 | 519610.575 | 918853.656 | 2279.987 | 1705353.919 | 3015663.572 | 7480.257 | |
| CM-MP 3 85 GPS PROJECT STATION | 39° 46' 12.3007" N | 105° 26' 53.1842" W | 2283.834 | 0° 01' 57.823" | 1.000003870 | 519713.429 | 918848.083 | SET CDOT TYPE 2 CONTROL MONUMENT | 375 | 519713.429 | 918848.083 | 2283.834 | 1705691.485 | 3015645.281 | 7492.158 | |
| CM-MP 3 95 GPS PROJECT STATION | 39° 46' 17.7270" N | 105° 27' 04.9631" W | 2297.124 | 0° 01' 54.726" | 1.000004035 | 519803.069 | 918731.171 | SET CDOT TYPE 2 CONTROL MONUMENT | 385 | 519803.069 | 918731.171 | 2297.124 | 1705985.680 | 3015261.580 | 7512.564 | |
| CM-MP 4 10 GPS PROJECT STATION | 39° 46' 22.9986" N | 105° 27' 08.8192" W | 2302.609 | 0° 01' 50.394" | 1.000004343 | 519970.338 | 918567.603 | SET CDOT TYPE 2 CONTROL MONUMENT | 395 | 519970.338 | 918567.603 | 2297.124 | 1706534.657 | 3014724.753 | 7536.481 | |
| CM-MP 4 20 GPS PROJECT STATION | 39° 46' 28.1426" N | 105° 27' 11.3989" W | 2309.276 | 0° 01' 47.962" | 1.000004642 | 520132.876 | 918475.746 | SET CDOT TYPE 2 CONTROL MONUMENT | 410 | 520132.876 | 918475.746 | 2309.276 | 1707068.102 | 3014423.277 | 7554.477 | |
| CM-MP 4 30 GPS PROJECT STATION | 39° 46' 31.9795" N | 105° 27' 16.4179" W | 2314.568 | 0° 01' 46.335" | 1.000004936 | 520291.496 | 918414.269 | SET CDOT TYPE 2 CONTROL MONUMENT | 420 | 520291.496 | 918414.269 | 2309.276 | 1707588.690 | 3014221.510 | 7576.349 | |
| CM-MP 4 35 GPS PROJECT STATION | 39° 46' 34.6497" N | 105° 27' 22.0177" W | 2320.657 | 0° 01' 43.169" | 1.000005155 | 520409.769 | 918294.765 | SET CDOT TYPE 2 CONTROL MONUMENT | 430 | 520409.769 | 918294.765 | 2314.568 | 1707976.863 | 3013829.303 | 7593.712 | |
| CM-MP 4 40 GPS PROJECT STATION | 39° 46' 36.8431" N | 105° 27' 24.9742" W | 2323.852 | 0° 01' 39.638" | 1.000005302 | 520492.058 | 918161.461 | SET CDOT TYPE 2 CONTROL MONUMENT | 440 | 520492.058 | 918161.461 | 2320.657 | 1708246.934 | 3013391.799 | 7613.689 | |
| CM-MP 4 50 GPS PROJECT STATION | 39° 46' 41.9985" N | 105° 27' 30.3673" W | 2331.309 | 0° 01' 34.372" | 1.000005433 | 520559.673 | 918091.070 | SET CDOT TYPE 2 CONTROL MONUMENT | 450 | 520559.673 | 918091.070 | 2323.852 | 1708468.845 | 3013160.776 | 7624.170 | |
| CM-MP 4 65 GPS PROJECT STATION | 39° 46' 45.1898" N | 105° 27' 41.5998" W | 2337.090 | 0° 01' 34.773" | 1.000005728 | 520718.615 | 917962.678 | SET CDOT TYPE 2 CONTROL MONUMENT | 465 | 520718.615 | 917962.678 | 2331.309 | 1708990.491 | 3012739.398 | 7648.636 | |
| CM-MP 4 75 GPS PROJECT STATION | 39° 46' 49.2706" N | 105° 27' 44.4357" W | 2340.718 | 0° 01' 25.499" | 1.000006146 | 520942.753 | 917627.774 | SET CDOT TYPE 2 CONTROL MONUMENT | 475 | 520942.753 | 917627.774 | 2337.090 | 1709313.128 | 3011861.902 | 7667.604 | |
| CM-MP 5 05 GPS PROJECT STATION | 39° 47' 01.0944" N | 105° 27' 49.0373" W | 2354.727 | 0° 01' 22.597" | 1.000006828 | 521307.376 | 917518.126 | SET CDOT TYPE 2 CONTROL MONUMENT | 485 | 521307.376 | 917518.126 | 2340.718 | 1709726.106 | 3011640.246 | 7679.504 | |
| CM-MP 5 25 GPS PROJECT STATION | 39° 47' 10.9254" N | 105° 27' 57.3942" W | 2363.607 | 0° 01' 10.855" | 1.000007397 | 521610.519 | 917319.160 | SET CDOT TYPE 2 CONTROL MONUMENT | 505 | 521610.519 | 917319.160 | 2354.727 | 1710922.794 | 3011280.384 | 7725.467 | |
| CM-MP 5 55 GPS PROJECT STATION | 39° 47' 20.9524" N | 105° 28' 07.6540" W | 2371.330 | 0° 01' 10.7981" | 1.000007981 | 521919.668 | 917074.926 | SET CDOT TYPE 2 CONTROL MONUMENT | 525 | 521919.668 | 917074.926 | 2363.607 | 1711917.703 | 3010627.380 | 7754.601 | |
| CM-MP 5 80 GPS PROJECT STATION | 39° 47' 30.4673" N | 105° 28' 17.2346" W | 2383.088 | 0° 01' 04.813" | 1.000008536 | 522213.053 | 916846.878 | SET CDOT TYPE 2 CONTROL MONUMENT | 555 | 522213.053 | 916846.878 | 2371.330 | 1712932.326 | 3009825.807 | 7779.940 | |
| CM-MP 6 05 GPS PROJECT STATION | 39° 47' 38.0983" N | 105° 28' 27.4973" W | 2393.438 | 0° 00' 58.340" | 1.000008983 | 522448.334 | 916602.637 | SET CDOT TYPE 2 CONTROL MONUMENT | 580 | 522448.334 | 916602.637 | 2383.088 | 1713895.213 | 3009077.359 | 7818.514 | |
| CM-MP 6 15 GPS PROJECT STATION | 39° 47' 42.2721" N | 105° 28' 33.1771" W | 2397.726 | 0° 00' 54.758" | 1.000009229 | 522577.051 | 916576.699 | SET CDOT TYPE 2 CONTROL MONUMENT | 595 | 522577.051 | 916576.699 | 2393.438 | 1 | | | |

CONTROL SURVEY DIAGRAM

COLORADO DEPARTMENT OF TRANSPORTATION
PROJECT NO STR 0119-044
SR 119 - HWY 6 to BLACKHAWK (MP 0 05-MP 7 30)
SECTIONS 7, 8, 17 20, 21 26 27 28 35 & 36, T 3 S R 72 W, 6th P M
GILPIN COUNTY COLORADO
SHEET 4 of 4



△ Typical Control Monument Cap NOT TO SCALE



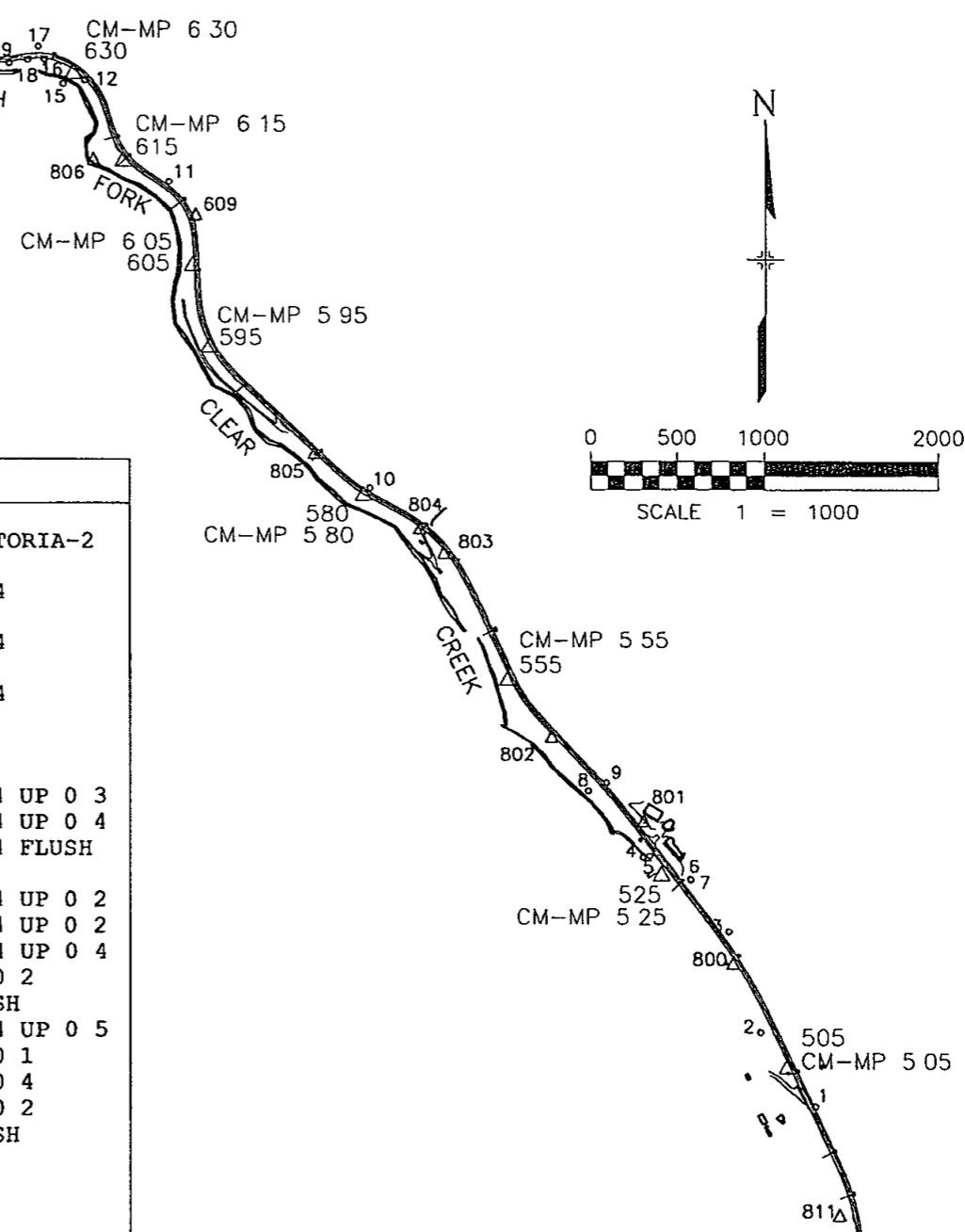
□ Typical NGS Horizontal Control Cap NOT TO SCALE

34 Property / R-O-W monument Stamped as shown below

CM-MP - Control Monuments were set by Western States Surveying Inc They were CDOT Type 2 monuments a 3-1/4 dia aluminum control monument cap (as shown) on a 3 x 3/4 dia finned aluminum rod on a 3 x 3/4 dia smooth aluminum rod or to refusal

19__ AT __ M FOR INFORMATION ONLY IN BOOK OF SURVEYS AT PAGE _____ DEPT _____

| PT NO | NORTHING | EASTING | ELEV | DESCRIPTION | | | |
|-------|----------|---------|---------|-------------|------|-----|--|
| 1 | 1710728 | 449 | 3011421 | 172 | 7721 | 393 | 4"x4"x1' HIGH CONCRETE MONUMENT IN POOR CONDITION # 740 |
| 2 | 1711107 | 402 | 3011142 | 303 | 7711 | 370 | 2 1/2" ALUMINUM CAP ON A 2" O D PIPE CP 2/20903 HWY 119 VICTORIA-2 |
| 3 | 1711629 | 277 | 3010976 | 639 | 7774 | 320 | 4"x4"x2' HIGH CONCRETE MONUMENT # 750 |
| 4 | 1712015 | 234 | 3010531 | 114 | 7752 | 877 | 1 1/4" RED PLASTIC CAP ON # 5 REBAR CLEAR MT SURVEY PLS 22094 |
| 5 | 1712022 | 596 | 3010566 | 957 | 7757 | 380 | #4 REBAR UP 0 2 |
| 6 | 1711900 | 090 | 3010778 | 318 | 7763 | 145 | 1 1/4" RED PLASTIC CAP ON # 5 REBAR CLEAR MT SURVEY PLS 22094 |
| 7 | 1711896 | 820 | 3010780 | 586 | 7763 | 901 | 2 1/2" ALUMINUM CAP CDOT |
| 8 | 1712359 | 088 | 3010243 | 258 | 7747 | 875 | 1 1/4" RED PLASTIC CAP ON # 5 REBAR CLEAR MT SURVEY PLS 22094 |
| 9 | 1712401 | 690 | 3010338 | 566 | 7774 | 524 | 4"x4"x2' HIGH CONCRETE MONUMENT # 760 |
| 10 | 1713937 | 468 | 3009111 | 401 | 7839 | 924 | 4"x4"x2' HIGH CONCRETE MONUMENT # 780 |
| 11 | 1715527 | 342 | 3008069 | 429 | 7889 | 985 | 4"x4"x2' HIGH CONCRETE MONUMENT # 800 |
| 12 | 1716046 | 838 | 3007636 | 145 | 0000 | 000 | 1 1/4" RED PLASTIC CAP ON # 5 REBAR CLEAR MT SURVEY PLS 22094 UP 0 3 |
| 15 | 1716029 | 226 | 3007524 | 968 | 7902 | 424 | 1 1/4" RED PLASTIC CAP ON # 5 REBAR CLEAR MT SURVEY PLS 22094 UP 0 4 |
| 16 | 1716154 | 164 | 3007426 | 482 | 7915 | 817 | 1 1/4" RED PLASTIC CAP ON # 5 REBAR CLEAR MT SURVEY PLS 22094 FLUSH |
| 17 | 1716219 | 753 | 3007395 | 684 | 7948 | 683 | 4"x4"x2' HIGH CONCRETE MONUMENT # 810 |
| 18 | 1716152 | 485 | 3007342 | 062 | 7920 | 829 | 1 1/4" RED PLASTIC CAP ON # 5 REBAR CLEAR MT SURVEY PLS 22094 UP 0 2 |
| 19 | 1716135 | 492 | 3007244 | 680 | 7926 | 268 | 1 1/4" RED PLASTIC CAP ON # 5 REBAR CLEAR MT SURVEY PLS 22094 UP 0 2 |
| 20 | 1716141 | 434 | 3007042 | 725 | 7933 | 535 | 1 1/4" RED PLASTIC CAP ON # 5 REBAR CLEAR MT SURVEY PLS 22094 UP 0 4 |
| 21 | 1716360 | 456 | 3006895 | 273 | 7973 | 755 | 1 1/4" YELLOW PLASTIC CAP ON #5 REBAR LINN INC PLS 14112 UP 0 2 |
| 22 | 1716267 | 043 | 3006882 | 507 | 7938 | 108 | 1 1/4" YELLOW PLASTIC CAP ON #5 REBAR LINN INC PLS 14112 FLUSH |
| 23 | 1716261 | 966 | 3006815 | 711 | 7939 | 967 | 1 1/4" RED PLASTIC CAP ON # 5 REBAR CLEAR MT SURVEY PLS 22094 UP 0 5 |
| 24 | 1716480 | 443 | 3006347 | 777 | 7953 | 061 | 1 1/4" YELLOW PLASTIC CAP ON #5 REBAR LINN INC PLS 14112 UP 0 1 |
| 25 | 1716489 | 606 | 3006079 | 728 | 7966 | 446 | 1 1/4" YELLOW PLASTIC CAP ON #5 REBAR LINN INC PLS 14112 UP 0 4 |
| 26 | 1716619 | 772 | 3005833 | 591 | 8045 | 183 | 1 1/4" YELLOW PLASTIC CAP ON #5 REBAR LINN INC PLS 14112 UP 0 2 |
| 27 | 1716591 | 290 | 3004710 | 027 | 7999 | 075 | 1 1/4" YELLOW PLASTIC CAP ON #5 REBAR LINN INC PLS 14112 FLUSH |
| 609 | 1715349 | 264 | 3008208 | 044 | 7879 | 139 | 3 1/4" CDOT ALUMINUM CAP MP 6 10 |
| 800 | 1711453 | 980 | 3010998 | 630 | 7741 | 098 | 2" ALUMINUM CAP ON #6 REBAR WSSI CP 800 |
| 801 | 1712193 | 580 | 3010535 | 580 | 7775 | 401 | 2" ALUMINUM CAP ON #6 REBAR WSSI CP 801 |
| 802 | 1712630 | 530 | 3010051 | 190 | 7768 | 725 | 2" ALUMINUM CAP ON #6 REBAR WSSI CP 802 |
| 803 | 1713589 | 670 | 3009495 | 640 | 7800 | 748 | 2" ALUMINUM CAP ON #6 REBAR WSSI CP 803 |
| 804 | 1713717 | 430 | 3009370 | 400 | 7806 | 783 | 2" ALUMINUM CAP ON #6 REBAR WSSI CP 804 |
| 805 | 1714107 | 900 | 3008822 | 690 | 7824 | 549 | 2" ALUMINUM CAP ON #6 REBAR WSSI CP 805 |
| 806 | 1715629 | 140 | 3007678 | 450 | 7878 | 946 | 2" ALUMINUM CAP ON #6 REBAR WSSI CP 806 |
| 807 | 1716575 | 670 | 3004570 | 210 | 8005 | 275 | SET PK NAIL WITH 1 1/4" ALUMINUM WASHER STAMPED 807 IN ASPHALT |
| 811 | 1710164 | 637 | 3011545 | 705 | 7702 | 248 | 2" ALUMINUM CAP ON #4 REBAR WSSI CP 811 |



COLORADO DEPARTMENT OF TRANSPORTATION

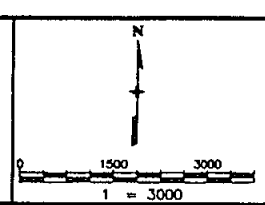
Region 1
16500 E. Colfax Ave
Aurora CO 80011
Phone (303) 757-9744 FAX (303) 757-9748

Survey Unit. Joseph P Conway

| Sheet Revisions | |
|-----------------|------|
| mm/yy | xxxx |
| | |
| | |
| | |
| | |
| | |
| | |
| | |
| | |
| | |
| | |

SH 119 MP 0 05 to MP 7 30
SECTIONS 7 8 17 18 20 21 22 26 27 28 35 36
TOWNSHIP 3 SOUTH RANGE 72 WEST OF THE 6th P M

SECTION CORNER LOCATION DIAGRAM
GILPIN COUNTY COLORADO



| Section Corner Location Diagram | | | | | |
|---------------------------------|---------------|---------------|----------|------------------|--|
| Project Number | | STA 119A-046 | | | |
| Project Location | | Sheet 3B | | | |
| Project Location | | | | | |
| Project Code | Last Mod Date | Subset Sheets | Sheet No | Total No of Shee | |
| 12878 | 02-19-01 | of | 1 | 6 | |

TOWNSHIP 3 SOUTH - RANGE 72 WEST



BASIS OF BEARINGS Bearings used in the calculation of coordinates are based on a grid bearing of N 52°39'31" W from NGS FOUR to NGS FARID as shown on Survey Control Diagram Dated 12/21/1999 prepared for CDOT by Western States Surveying Inc

COORDINATE DATUM Coordinates on this project are for the exclusive use of the CDOT for the construction of this project and are considered Project Coordinates only

NOTE This survey is for the use of the Colorado Department of Transportation personnel. The survey is not a complete Boundary Survey. Title Policy, Title Commitment, and Title Research were not part of this survey; therefore, easements, rights, and restrictions of record are not shown. The verification of the physical evidence with relation to easements, rights of way, property boundaries, and restriction as described in the instruments of record were not included in this survey.

NOTE According to Colorado law you must commence any legal action based upon any defect in this survey within three years after you first discover such defect. In no event may any action based upon any defect in this survey be commenced more than ten years from the date of the statement shown.

NOTE No guarantee as to the accuracy of the information contained on the attached drawing is either stated or implied unless this copy bears an original signature of the professional land surveyor hereon named.

SURVEYORS STATEMENT I Michael D Heimbeck a Professional Land Surveyor in the State of Colorado hereby state that this Section Breakdown Diagram was prepared under my direct supervision this 19th day of February 2001 from a field survey performed under my supervision and checking for and on behalf of the Department of Transportation State of Colorado and is not a Land Survey Plat or Right-of-Way Survey Plat and to the best of my knowledge and belief this survey as shown meets the minimum horizontal control tolerances of a Type B Survey as listed in the Colorado Department of Transportation Survey Manual Chapter Three (Revised 4/29/92)

Michael D Heimbeck, PLS 17488

— — — — — = ALIQUOT LINES WITH CORNERS
- - - - - = APPROXIMATE ALIQUOT LINES

in front of this DAY OF 18 AT M FOR INFORMATION
 ONLY IN BOOK OF THE C LAND SURVEYS/RIGHT OF WAY
 SURVEYS AT PAGE REC UMBER
 SIGNED DEPT

sec-diagram.dwg 18 FEB 2001 07 42 35 4 PLOT/EDIT by DAW

COLORADO DEPARTMENT OF TRANSPORTATION



Region 1
16500 E. Colfax Ave
Aurora CO 80011
Phone (303) 757-9744 FAX (303) 757-9748

Survey Unit. **Joseph P Conway**

| Sheet Revisions | | |
|-----------------|------|-----|
| mm/yy | xxxx | xxx |
| | | |
| | | |
| | | |
| | | |
| | | |
| | | |
| | | |
| | | |
| | | |
| | | |

SH 119 MP 0.05 to MP 7.30
SECTIONS 7 8 17 18 20 21 22 26 27 28 35 36
TOWNSHIP 3 SOUTH RANGE 72 WEST OF THE 6th P M

SECTION CORNER LOCATION DIAGRAM

GILPIN COUNTY COLORADO

Section Corner Location Diagram

| | | | | |
|------------------|---------------------|----------------|----------|------------------|
| Project Number | STA 119A-046 | | | |
| Project Location | Sheet 3C | | | |
| Project Location | | | | |
| Project Code | Last Mod Date | Subsect Sheets | Sheet No | Total No. of She |
| 12878 | 02-19-01 | of | 2 | 6 |

**PROJECT COORDINATE SUMMARY TABLE
(ADJUSTED FIELD DATA)**

| POINT # | PROJECT COORDINATES | | DESCRIPTION |
|---------|---------------------|------------|---|
| | NORTH (F) | EAST (F) | |
| 2103 | 1715225 42 | 3006898 83 | SE SECTION 7 - 3 BRASS BLM CAP |
| 3019 | 1709990 44 | 3006962 19 | SW SECTION 17 - 2 1/2" BRASS CAP LS 7234 |
| 3045 | 1715417 57 | 3012109 95 | NE SECTION 17 - 3 BRASS BLM CAP |
| 999 | 1715236 49 | 3001104 95 | NW SECTION 18 - 3" BRASS BLM CAP |
| 3004 | 1710159 01 | 3012127 93 | NW SECTION 21 - 3 BRASS BLM CAP |
| 3035 | 1710399 48 | 3017155 94 | NE SECTION 21 - 1 1/2 ALUM CAP LS 865 |
| 3040 | 1705035 24 | 3012161 57 | SW SECTION 21 - STONE |
| 3023 | 1705752 28 | 3027398 27 | NE SECTION 26 - 3" ALUM CAP |
| 3029 | 1700299 05 | 3022266 53 | SW SECTION 26 - 3" BRASS BLM CAP |
| 2184 | 1705395 58 | 3022269 38 | NW SECTION 26 - STONE W/ 1 1/2" ALUM CAP - LS 865 |
| 2708 | 1705158 92 | 3017178 42 | NW SECTION 27 - STONE |
| 3031 | 1700107 92 | 3017172 09 | SW SECTION 27 - 3 BRASS BLM CAP |
| 2002 | 1700514 68 | 3027354 02 | NW SECTION 36 - 2 ALUM CAP - LS 14112 |
| 2051 | 1720513 07 | 3004206 82 | N 1/4 SECTION 7 - 3" BRASS BLM CAP |
| 2053 | 1717835 61 | 3001117 41 | W 1/4 SECTION 7 - 3" BRASS BLM CAP |
| 2105 | 1718150 63 | 3006908 98 | E 1/4 SECTION 7 - 1 1/2" ALUM CAP - LS 865 |
| 2052 | 1717775 15 | 3001116 59 | E 1/4 SECTION 12 - 3 BRASS BLM CAP |
| 3015 | 1712789 07 | 3012117 18 | E 1/4 SECTION 17 - BLM BRASS CAP |
| 3017 | 1710031 20 | 3009592 60 | S 1/4 SECTION 17 - BLM BRASS CAP |
| 3043 | 1712614 47 | 3006963 09 | W 1/4 SECTION 17 - 3 BRASS BLM CAP |
| 3047 | 1715368 64 | 3009525 37 | N 1/4 SECTION 17 - 3" BRASS 3 BRASS BLM CAP |
| 4042 | 1704937 53 | 3009429 46 | S 1/4 SECTION 20 - STONE |
| 2170 | 1707763 59 | 3017169 37 | E 1/4 SECTION 21 - STONE |
| 3002 | 1710275 81 | 3014578 27 | N 1/4 SECTION 21 - STONE |
| 3007 | 1705101 45 | 3014689 71 | S 1/4 SECTION 21 - 1 1/2" ALUM CAP 865 |
| 3009 | 1707616 71 | 3012124 08 | W 1/4 SECTION 21 - STONE |
| 2151 | 1702992 11 | 3024820 64 | C 1/4 SECTION 26 - #1 - 3 5" ALUM CAP - LS 22094 |
| 2153 | 1702993 78 | 3024828 20 | C 1/4 SECTION 26 - #2 - 2 ALUM CAP - LS 14112 |
| 2159 | 1700761 93 | 3024821 95 | S 1/4 SECTION 26 - #1 - STONE |
| 2161 | 1700337 00 | 3024814 88 | S 1/4 SECTION 26 - #2 - 3 1/4 ALUM CAP - LS 22094 |
| 2178 | 1702854 00 | 3022277 80 | W 1/4 SECTION 26 - STONE |
| 2186 | 1703133 19 | 3027376 77 | E 1/4 SECTION 26 - 3 1/4 ALUM CAP - LS 22094 |
| 3025 | 1705570 20 | 3024835 50 | N 1/4 SECTION 26 - #1 - 3 1/4 ALUM CAP LS 22094 |
| 9304 | 1705411 82 | 3024796 33 | N 1/4 SECTION 26 - #2 - STONE |
| 2701 | 1705196 34 | 3019762 96 | N 1/4 SECTION 27 - STONE |
| 4006 | 1702699 04 | 3017165 47 | E 1/4 SECTION 28 - STONE |
| 4009 | 1700039 77 | 3014610 68 | S 1/4 SECTION 28 - STONE |
| 4040 | 1702530 83 | 3012078 92 | W 1/4 SECTION 28 - STONE |
| 2004 | 1698025 22 | 3027349 87 | W 1/4 SECTION 36 - 3 1/4 ALUM CAP - LS 3090 |
| 2307 | 1700998 71 | 3030027 69 | N 1/4 SECTION 36 - 1 1/2 ALUM CAP - LS 865 |
| 1052 | 1713919 14 | 3001099 37 | N 1/16 SECTION 18 - 3 BRASS BLM CAP |

DEPOSITED THIS DAY OF AT M FOR INFORMATION
ONLY IN BOOK OF THE LAND SURVEYS/RIGHT OF WAY
SURVEYS AT PAGE REC NUMBER

SIGNED DEPT

sec_diagram.dwg 18 FEB 2001 07:42:35.4 PLOT/EDIT by DAW

COLORADO DEPARTMENT OF TRANSPORTATION



Region 1
16500 E. Colfax Ave
Aurora CO 80011
Phone (303) 757-9744 FAX (303) 757-9748

Survey Unit Joseph P Conway

Sheet Revisions

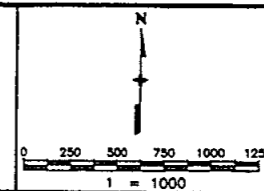
| mm/yy | xxxxx | xxx |
|-------|-------|-----|
| | | |
| | | |
| | | |
| | | |
| | | |
| | | |
| | | |
| | | |
| | | |
| | | |

SH 119 MP 0.05 to MP 7.30
SECTIONS 7 8 17 18 20 21 22 26 27 28 35 36
TOWNSHIP 3 SOUTH RANGE 72 WEST OF THE 6th P M

SECTION CORNER LOCATION DIAGRAM

GILPIN COUNTY COLORADO

Section Corner Location Diagram

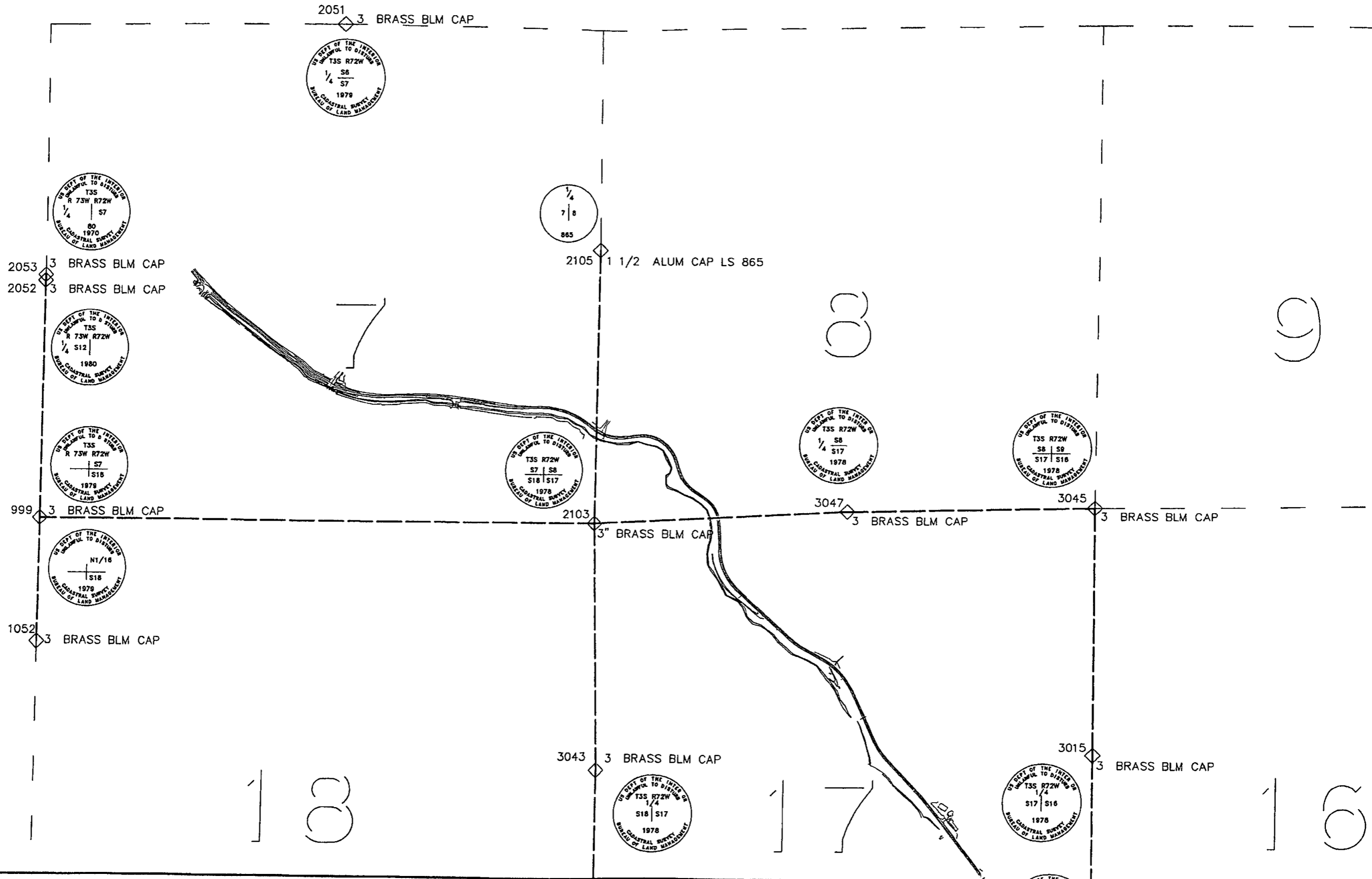


| | |
|-------------------|--------------|
| Project Number | STA 119A-046 |
| Project Location | Sheet 3D |
| Project Code | 12878 |
| Last Mod Date | 02-19-01 |
| Subset Sheets | of |
| Sheet No | 3 |
| Total No of Sheet | 6 |

FOR INFORMATION ONLY
DATE OF THIS SURVEY AT THE TIME OF THE SURVEY IS AT THE END OF THE LINE
ONLY IN BOOK OF THE SURVEY AT PAGE RET

SIGNED DEPT

sec_diagram.dwg 18 FEB 2001 07:42:35.4 PILOT/EDIT by DAW



COLORADO DEPARTMENT OF TRANSPORTATION



Region 1
16500 E. Colfax Ave
Aurora CO 80011
Phone (303) 757-9744 FAX (303) 757-9748

Survey Unit Joseph P Conway

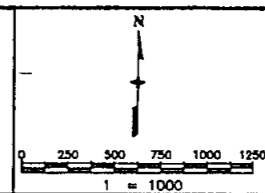
Sheet Revisions

| mm/yy | xxxx | xxx |
|-------|------|-----|
| | | |
| | | |
| | | |
| | | |
| | | |
| | | |
| | | |
| | | |
| | | |
| | | |

SH 119 MP 0.05 to MP 7.30
SECTIONS 7 8 17 18 20 21 22 26 27 28 35 36
TOWNSHIP 3 SOUTH RANGE 72 WEST OF THE 6th P.M

SECTION CORNER LOCATION DIAGRAM

GILPIN COUNTY COLORADO

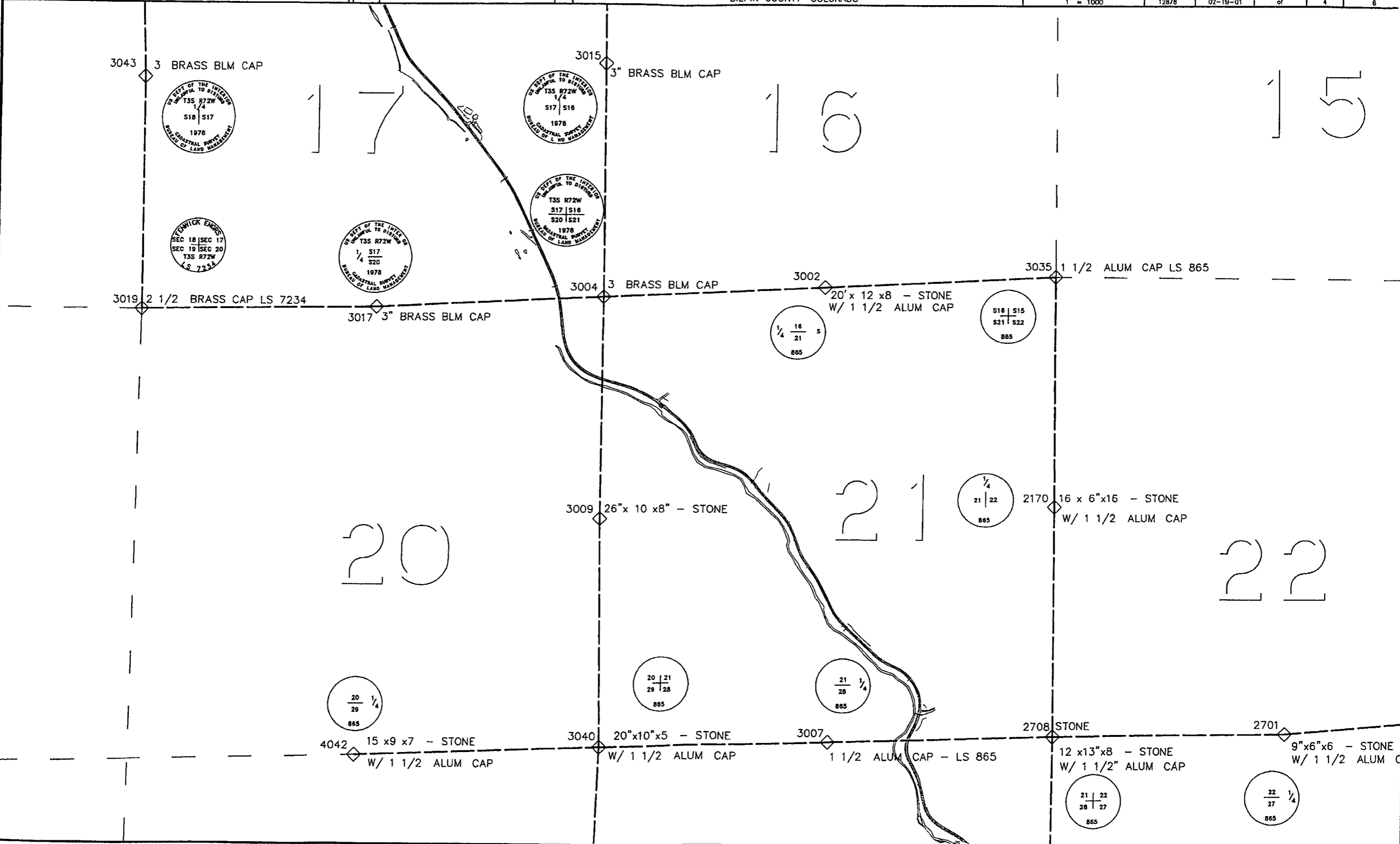


Section Corner Location Diagram

| | |
|------------------|--------------|
| Project Number | STA 119A-046 |
| Project Location | Sheet 3E |
| Project Code | 12878 |
| Last Mod Date | 02-19-01 |
| Subst Sheets | of |
| Sheet No | 4 |
| Total No of She | 8 |

DEPOSITED THIS DAY OF OF THE SURVEYS AT PAGE REL
18 AT LAND SURVEYS/RIGHT OF WAY NUMBER

sec_diagram.dwg 18 FEB 2001 07:42:35.4 PLOT/EDIT by DAN



3E

COLORADO DEPARTMENT OF TRANSPORTATION



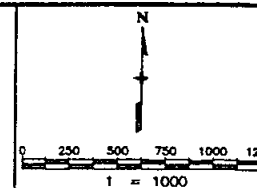
Region 1
16500 E. Colfax Ave
Aurora CO 80011
Phone (303) 757-9744 FAX (303) 757-9748

Survey Unit. Joseph P Conway

| Sheet Revisions | | |
|-----------------|------|-----|
| mm/yy | xxxx | xxx |
| | | |
| | | |
| | | |
| | | |

SH 119 MP 005 to MP 7.30
SECTIONS 7 8 17 18 20 21 22 26 27 28 35 36
TOWNSHIP 3 SOUTH RANGE 72 WEST OF THE 6th P M

SECTION CORNER LOCATION DIAGRAM
GILPIN COUNTY COLORADO



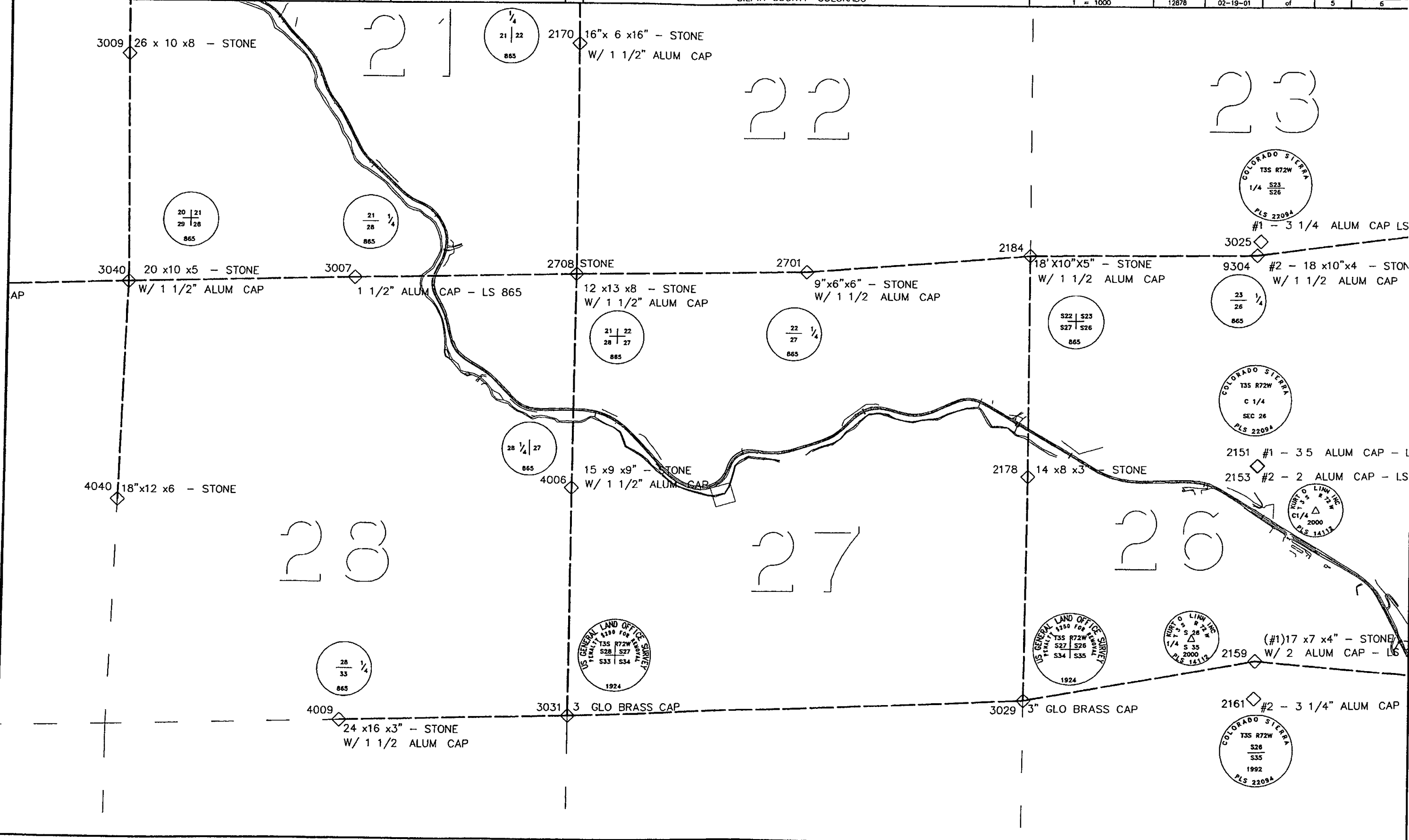
Section Corner Location Diagram

| | |
|--------------------|--------------|
| Project Number | STA 119A-046 |
| Project Location | Sheet 3F |
| Project Location | |
| Project Code | 12678 |
| Last Mod Date | 02-19-01 |
| Subset Sheets | of 5 |
| Sheet No | 5 |
| Total No of Sheets | 6 |

DEPOSITED THIS DAY OF AT M FOR INFORMATION ONLY IN BOOK OF THE LAND SURVEYS/RIGHT OF WAY SURVEYS AT PAGE REC NUMBER

SIGNED DEPT

sec_diagram.dwg 18 FEB 2001 07:42:35 4 PLOT/EDIT by DAW



COLORADO DEPARTMENT OF TRANSPORTATION



Region 1
16500 E. Colfax Ave
Aurora CO 80011
Phone (303) 757-9744 FAX (303) 757-9748

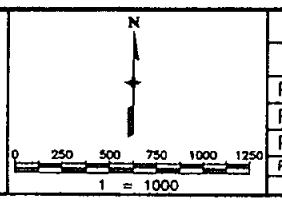
Survey Unit. Joseph P Conway

| Sheet Revisions | | |
|-----------------|------|-----|
| mm/yy | XXXX | XXX |
| | | |
| | | |
| | | |
| | | |
| | | |
| | | |
| | | |
| | | |
| | | |
| | | |

SH 119 MP 0.05 to MP 7.30
SECTIONS 7 8 17 18 20 21 22 26 27 28 35 36
TOWNSHIP_3_SOUTH RANGE 72 WEST OF THE 6th P M

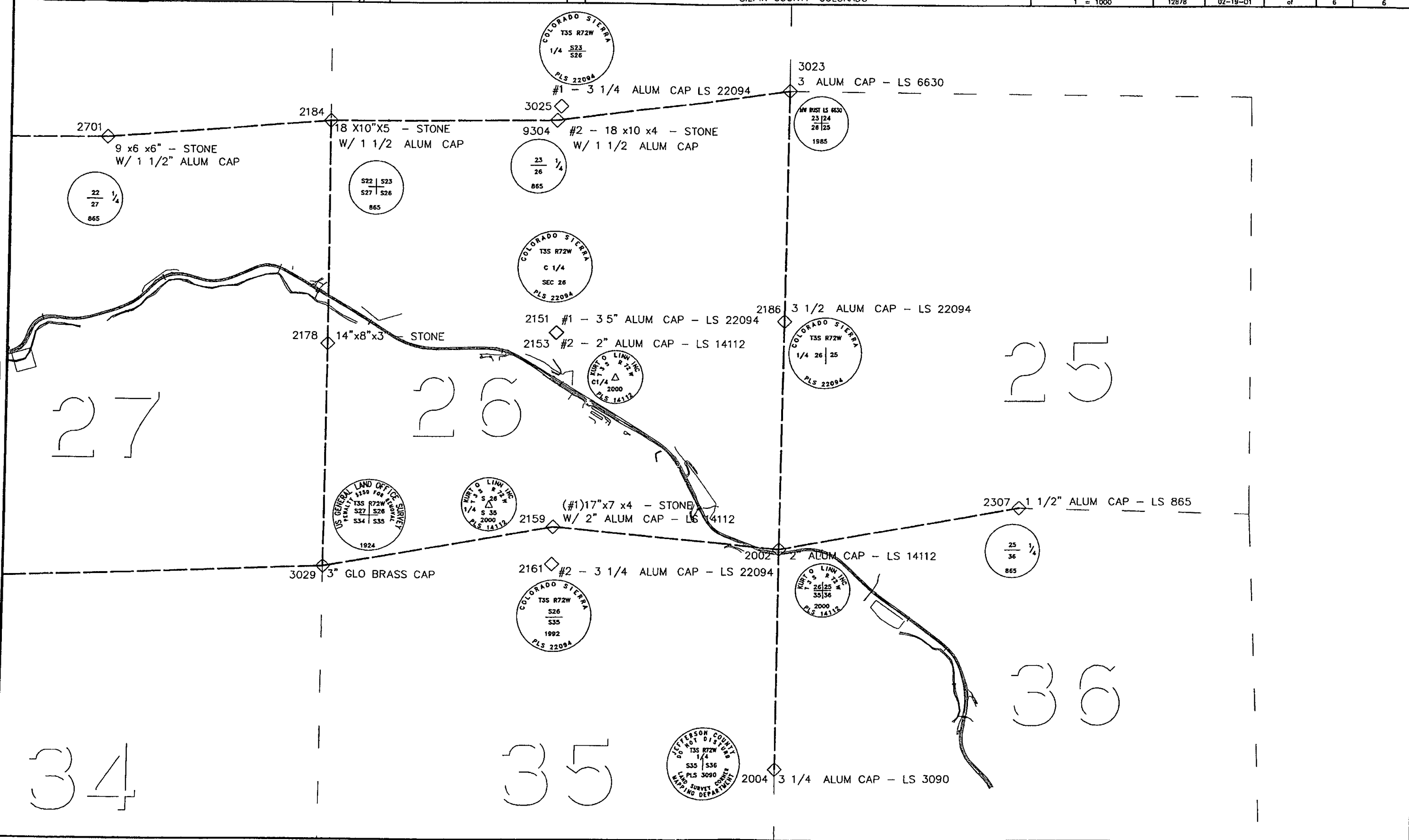
SECTION CORNER LOCATION DIAGRAM

GILPIN COUNTY COLORADO



Section Corner Location Diagram

| | | | | | |
|------------------|---------------|---------------|----------|-------------------|--|
| Project Number | STA 119A-046 | | | | |
| Project Location | Sheet 3G | | | | |
| Project Code | Last Mod Date | Subset Sheets | Sheet No | Total No of Sheet | |
| 12878 | 02-19-01 | of | 6 | 6 | |



ONLY IN BOOK OF THE COUNTY LAND SURVEYS/RIGHT OF WAY SURVEYS AT PAGE _____ REC _____ NUMBER _____

SIGNED _____ DEPT _____

rec-diagram.dwg 18 FEB 2001 07:42:35 4 PLOT/EDIT by DAW



Region 1
18500 E. Colfax Avenue
Aurora CO 80011
Phone (303) 757-9117 FAX (303) 757-9746

RIGHT OF WAY PLANS UNIT Kevin Williams

Sheet Revisions

| | | |
|---------|---|-----|
| 4/04/02 | Revised Pnts 1302 & 1303 | SKV |
| 4/15/02 | Revised Pnts 1300 1301 1302 1303 Delet Pnt 1400 | SKV |
| | Add Pnts 1204 1248 1304 1305 1306 1307 1308 | SKV |
| | 1403 1404 1405 1507 1508 1509, 1510 | SKV |
| 5/31/04 | Add d 476A, 1079A, 1308A, 1403A, 1404A, 1405A | TS |
| | Revised monument types set, and quantity of monuments set | |

Computer File Information

| | |
|---|-----------------------|
| CREATION DATE: 7/7/2001 | INITIALS: EDC |
| LAST MODIFICATION DATE: 4/15/02 | INITIALS: SKV |
| FULL PATH: \\Projects\6844455\Test_06\CAD\Row\Plans | |
| DRAWING FILE NAME: Monumentation.dwg | |
| SCALE: N.T.S. | UNITS: US Survey Feet |
| URS Corporation | |
| Denver Colorado Tel:(303) 694-2770 | |

RIGHT OF WAY

MONUMENTATION SHEET

STA 119A-046

SH 119 m Blackhawk

PROJECT CODE 13507 SHEET NUMBER 4

Tabulation of Found Monuments

| Pnt | Northing | Easting | Descriptions |
|------|------------|------------|----------------------------------|
| 478 | 1716719 43 | 3004298 56 | Fnd ROW Marker 842+40 |
| 1020 | 1716874 13 | 3005747 49 | 1 1/4 YPC Linn Inc PLS 14112 |
| 1021 | 1716619 97 | 3005833 72 | 1 1/4 YPC Linn Inc PLS 14112 |
| 1030 | 1716617 95 | 3005665 12 | 1 1/4 YPC Linn Inc PLS 14112 |
| 1031 | 1716645 77 | 3005469 95 | 1 1/4 YPC Linn Inc PLS 14112 |
| 1032 | 1716700 33 | 3005352 88 | 1 1/4 YPC Linn Inc PLS 14112 |
| 1035 | 1716619 14 | 3005754 25 | 1 1/4 YPC Linn Inc PLS 14112 |
| 1100 | 1716700 35 | 3004359 45 | Fnd #3 Rebar w/ 3/4 AC 566 |
| 1101 | 1716805 23 | 3004368 57 | Fnd #3 Rebar w/ 3/4 AC 566 |
| 1102 | 1716788 97 | 3004321 92 | 1 1/2 AC Cor #3 MS 551 |
| 1103 | 1716823 63 | 3004309 30 | 1 1/2 YPC Linn Inc PLS 14112 |
| 1104 | 1716846 96 | 3004251 10 | Angle Iron 2 Ft above Ground |
| 1105 | 1716905 40 | 3004808 24 | #5Rebar 1 1/4 YPC PLS9996 Alpine |
| 1106 | 1717047 44 | 3004757 28 | Original Stone MS 551 |
| 1107 | 1716681 52 | 3005125 65 | 1 1/4 YPC Linn Inc PLS 14112 |
| 1108 | 1716591 29 | 3004710 03 | 1 1/4 YPC Linn Inc PLS 14112 |
| 1109 | 1716966 36 | 3005731 45 | 1 1/4 YPC Linn Inc PLS 14112 |
| 1110 | 1716453 89 | 3005438 55 | 2 BC in Sidewalk PLS 14112 |
| 1111 | 1716619 64 | 3005970 97 | 1 1/4 YPC Linn Inc PLS 14112 |
| 1112 | 1716619 33 | 3006089 83 | 1 1/4 YPC Linn Inc PLS 14112 |
| 1113 | 1716489 61 | 3006079 73 | 1 1/4 YPC Linn Inc PLS 14112 |
| 1114 | 1716480 44 | 3006347 78 | 1 1/4" YPC Linn Inc PLS 14112 |
| 1115 | 1716267 04 | 3006882 51 | 1 1/4 YPC Linn Inc PLS 14112 |
| 1117 | 1717231 11 | 3005910 50 | 1 1/4 YPC Linn Inc PLS 14112 |
| 1118 | 1717097 21 | 3005983 47 | 1 1/4 YPC Linn Inc PLS 14112 |

Tabulation of Right of Way Markers to be Set

| Pnt | Northing | Easting | Station | Offset | Type |
|-------|------------|------------|-----------|--------|-------------------------------|
| 476 | 1716653 06 | 3004776 78 | 124+78 74 | 53 29 | Not Set |
| 476A | 1716599 79 | 3004777 83 | 124+78 74 | 0 00 | Type 5 |
| 1079 | 1716658 72 | 3004884 50 | 123+70 94 | 56 83 | Not Set |
| 1079A | 1716601 90 | 3004885 61 | 123+70 94 | 0 00 | Type 5 |
| 1300 | 1716418 02 | 3006638 48 | 106+15 83 | 42 49 | Fnd #5 Rbr YPC LINN PLS 14114 |
| 1301 | 1716483 39 | 3006427 33 | 108+25 40 | 42 50 | Fnd #5 Rbr YPC LINN PLS 14114 |
| 1302 | 1716496 64 | 3006342 00 | 109+11 75 | 42 50 | Fnd #5 Rbr YPC LINN PLS 14114 |
| 1303 | 1716524 96 | 3006135 03 | 111+19 12 | 42 50 | Fnd #5 Rbr YPC LINN PLS 14114 |
| 1304 | 1716551 92 | 3005907 37 | 113+48 38 | 42 50 | Fnd #5 Rbr YPC LINN PLS 14114 |
| 1305 | 1716579 82 | 3005703 45 | 115+55 75 | 42 50 | Fnd #5 Rbr YPC LINN PLS 14114 |
| 1306 | 1716599 81 | 3005574 70 | 116+86 04 | 42 50 | Type 1 |
| 1307 | 1716624 92 | 3005380 79 | 118+79 43 | 42 50 | Type 1 |
| 1308 | 1716642 51 | 3005383 22 | 118+78 85 | 60 25 | Not Set |
| 1308A | 1716630 62 | 3005381 57 | 118+79 24 | 48 25 | Type 5 12 Point on line |

Tabulation of Slope Easement to be Staked

| Pnt | Northing | Easting | Station | Offset | Type |
|-------|------------|------------|-----------|--------|-------------------------------|
| 1204 | 1716297 11 | 3006844 69 | 103+86 89 | 52 06 | Fnd #5 Rbr YPC LINN PLS 14114 |
| 1401 | 1716662 37 | 3005586 37 | 116+84 11 | 106 11 | Type 6 |
| 1402 | 1716736 06 | 3004544 08 | 127+20 73 | 137 88 | Type 6 |
| 1403 | 1716476 02 | 3006609 80 | 106+61 59 | 84 06 | Not Set |
| 1403A | 1716472 99 | 3006613 78 | 106+57 27 | 82 75 | Type 6 5 Point on line |
| 1404 | 1716513 93 | 3006460 18 | 108+00 36 | 78 20 | Not Set |
| 1404A | 1716521 26 | 3006420 86 | 108+37 61 | 78 93 | Type 6 40 Point on line |
| 1405 | 1716588 83 | 3006058 77 | 112+02 37 | 96 96 | Not Set |
| 1405A | 1716586 99 | 3006068 60 | 111+92 39 | 96 29 | Type 6 10 Point on line |

Tabulation of Temporary Easements to be Staked

| Pnt | Northing | Easting | Station | Offset | Type |
|------|------------|------------|-----------|--------|-------|
| 1105 | 1716905 40 | 3004808 24 | 124+42 33 | 304 96 | Lathe |
| 1111 | 1716619 64 | 3005970 97 | 112+93 18 | 117 23 | Lathe |
| 1225 | 1716730 66 | 3004362 09 | 129+22 51 | 104 89 | Lathe |
| 1227 | 1716800 03 | 3004368 12 | 129+35 50 | 173 59 | Lathe |
| 1228 | 1716887 83 | 3004734 97 | 125+15 94 | 288 83 | Lathe |
| 1229 | 1716874 95 | 3004744 92 | 125+06 24 | 275 76 | Lathe |
| 1230 | 1716897 10 | 3004773 59 | 124+77 14 | 297 34 | Lathe |
| 1249 | 1716662 09 | 3006689 73 | 106+58 27 | 286 53 | Lathe |
| 1255 | 1716723 69 | 3004361 48 | 129+21 31 | 97 98 | Lathe |
| 1500 | 1716728 99 | 3006084 22 | 111+93 57 | 239 14 | Lathe |
| 1501 | 1716776 39 | 3005917 19 | 113+65 84 | 266 54 | Lathe |
| 1502 | 1716855 09 | 3005639 85 | 116+60 84 | 304 75 | Lathe |
| 1503 | 1716857 93 | 3005629 86 | 116+71 14 | 306 02 | Lathe |
| 1504 | 1716899 61 | 3005373 41 | 119+12 41 | 315 12 | Lathe |
| 1505 | 1716903 52 | 3005284 91 | 119+94 23 | 311 58 | Lathe |
| 1506 | 1716922 99 | 3004844 33 | 124+05 90 | 321 84 | Lathe |
| 1507 | 1716450 91 | 3006966 98 | 103+86 79 | 248 56 | Lathe |
| 1508 | 1716709 37 | 3006503 12 | 107+96 43 | 278 24 | Lathe |
| 1509 | 1716785 98 | 3006092 50 | 111+92 05 | 296 71 | Lathe |
| 1510 | 1716808 15 | 3005950 10 | 113+36 08 | 301 98 | Lathe |

GENERAL NOTES

- This Right-of-Way plan is not a complete boundary survey of all the adjoining property owners and is prepared for the Transportation Department purposes ONLY
- Title Commitments / Policies supplied by H C Peck & Assoc and underwritten by United General Title Insurance Company
- NOTICE According to Colorado law you must commence any legal action based upon any defect in this survey within three years after you first discover such defect In no event may any action based upon any defect in this survey be commenced more than ten years from the date of certification shown hereon
- All ROW Markers set from survey control points
- All centerline and offset stationing is theoretical only and may not represent the centerline as constructed in the field
- All coordinates listed are PROJECT COORDINATES
- BASIS OF BEARINGS Bearings used in the calculation of coordinates are based on a grid bearing of N 52 39 31 W from NGS FOUR to NGS FARID as shown on Survey Control Diagram Dated 12/21/1999 prepared for CDOT by Western States Surveying Inc

FILING CERTIFICATION
 DEPOSITED THIS _____ DAY OF _____ 19____ AT _____ M FOR INFORMATION
 ONLY IN BOOK _____ OF THE COUNTY LAND SURVEYS/RIGHT OF WAY
 SURVEYS AT PAGE _____ RECEPTION NUMBER _____
 SIGNED _____
 DEPT _____

QUANTITY OF MONUMENTS TO BE SET

| CAP TYPE | MONUMENT TYPE | | | | | | | | | |
|--------------------|---------------|----|---|----|---|----|---|----|---|---|
| | 1 | 1A | 2 | 2A | 3 | 3A | 4 | 4A | 5 | 6 |
| REFERENCE | | | | | | | | | | |
| RIGHT OF WAY 3-1/4 | 2 | | | | | | | | 3 | |
| CONTROL | | | | | | | | | | |
| ALIQUOT CORNER | | | | | | | | | | |
| WITNESS POST | | | | | | | | | | |
| PERM EASEMENT | | | | | | | | | | 5 |
| C R RIGHT OF WAY | | | | | | | | | | |

FIELD SURVEYOR'S STATEMENT

RIGHT OF WAY MONUMENTATION WAS DONE UNDER MY SUPERVISION AND CHECKING

NAME STAN VERMILYEA PLS NO 25381
DATE _____

Original Stamp

FIELD SURVEYOR'S STATEMENT

ORIGINAL SURVEY MARKER LOCATIONS SHOWN ON THIS SHEET WERE PREPARED UNDER MY SUPERVISION AND CHECKING

NAME Stan Vermilyea PLS NO 25381
DATE _____

Original Stamp

OFFICE SURVEYOR'S STATEMENT

ROW PLANS AND LEGAL DESCRIPTIONS WERE PREPARED UNDER MY SUPERVISION AND CHECKING

NAME STAN VERMILYEA PLS NO 25381
DATE _____

Original Stamp

COLORADO DEPARTMENT OF TRANSPORTATION



Region 1
18500 E Colfax Avenue
Aurora CO 80011
Phone (303) 757-9117 FAX (303) 757-9746

RIGHT OF WAY PLANS UNIT Kevin Williams

Sheet Revisions

| | | |
|---------|------------------------------|------|
| 8/28/97 | Show current Survey Practice | CDOT |
| | | |
| | | |
| | | |
| | | |

Computer File Information

| | |
|---|----------------|
| CREATION DATE: 2/18/2002 | INITIALS: SKV |
| LAST MODIFICATION DATE: 2/18/02 | INITIALS: SKV |
| FULL PATH: PROJ\6844455\Task_06\CAD\ROW\Plans | |
| DRAWING FILE NAME: Monumentation.dwg | |
| SCALE: N.T.S. | UNITS: English |
| URS Corporation | |
| Denver, Colorado Tel (303) 740-2600 | |

RIGHT OF WAY

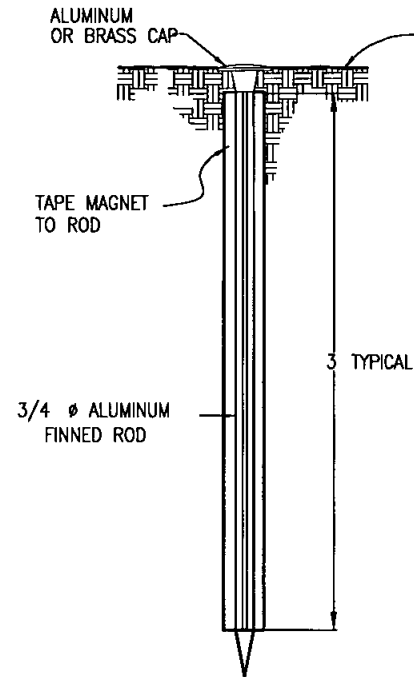
MONUMENTATION SHEET

STA 119A-046

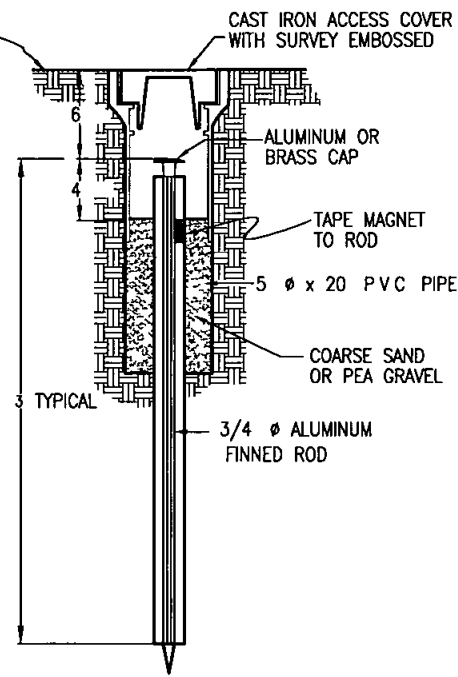
SH 119 IN Black Hawk

PROJECT CODE 13507 SHEET NUMBER 4A

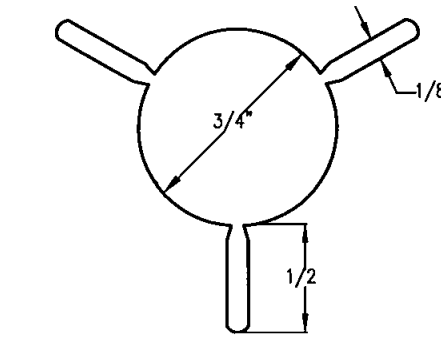
FILING CERTIFICATION DAY OF 19__ AT __ M FOR INFORMATION DEPOSITED THIS OF THE COUNTY LAND SURVEYS/RIGHT OF WAY SURVEYS AT PAGE RECEPTION NUMBER SIGNED DEPT



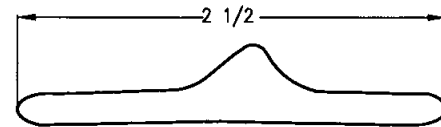
TYPE 1 MONUMENT



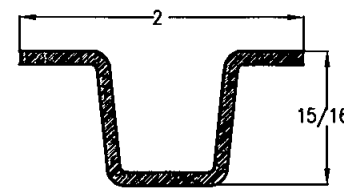
TYPE 1A MONUMENT & TYPE 2A MONUMENT INCLUDES MONUMENT BOX



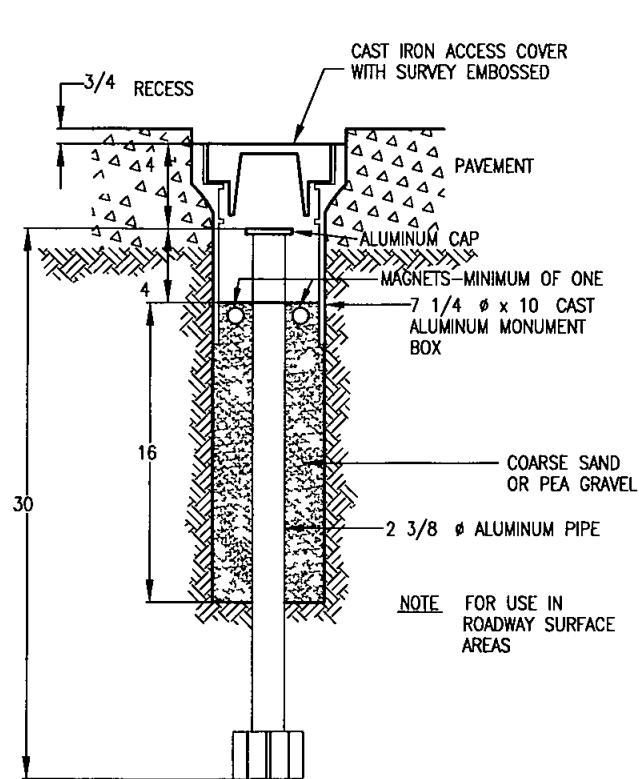
SECTION A-A



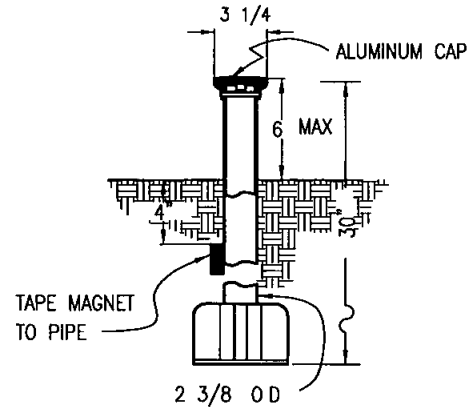
SECTION B-B



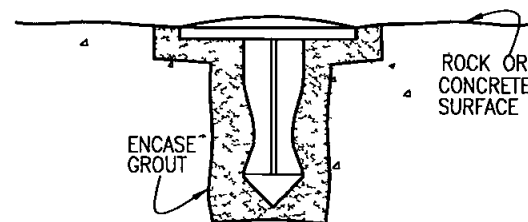
DELINEATOR POST SECTION C-C



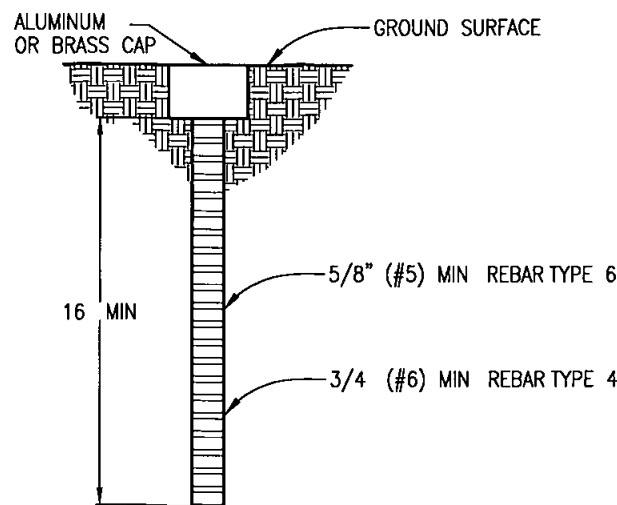
TYPE 3A MONUMENT ROADWAY INSTALLATION INCLUDES MONUMENT BOX



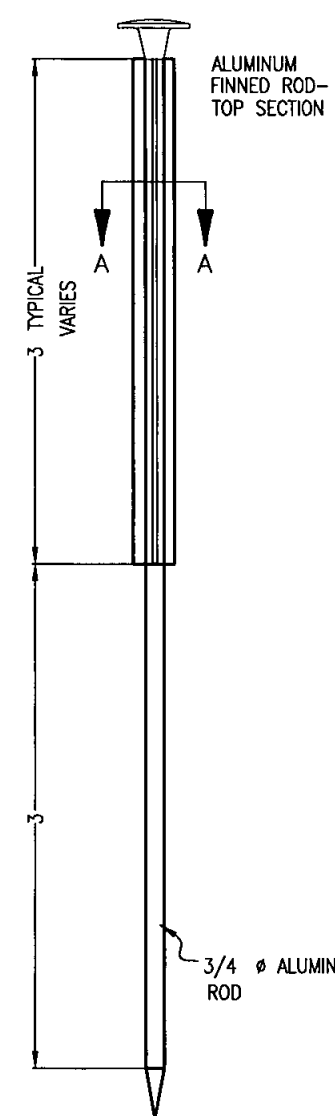
TYPE 3 MONUMENT



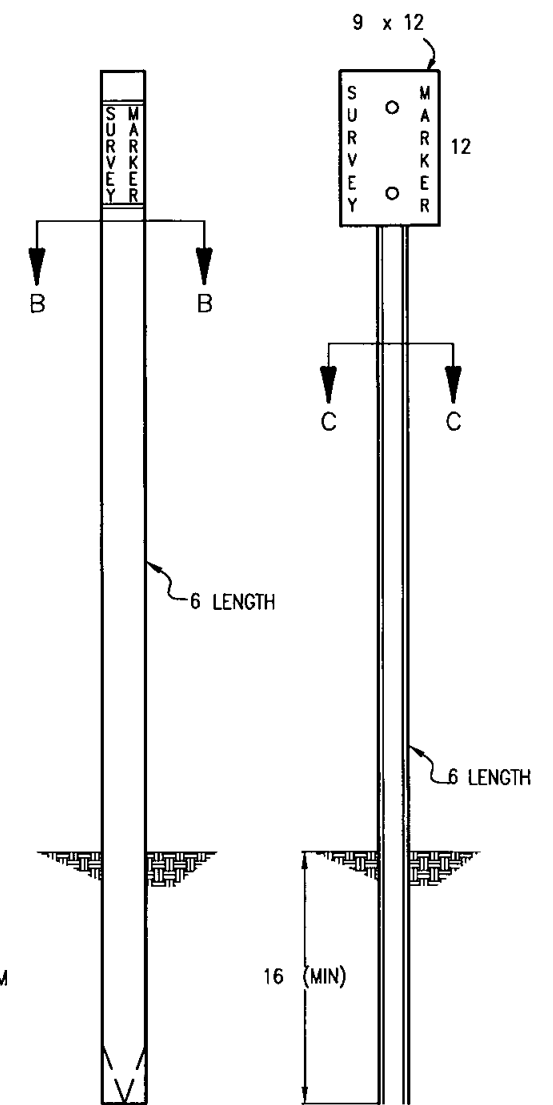
TYPE 5 MONUMENT (ALUMINUM CAP NOT SHOWN)



TYPE 4 AND TYPE 6 MONUMENT



TYPE 2 MONUMENT



WITNESS POSTS

datestamp

COLORADO DEPARTMENT OF TRANSPORTATION



Region 1
18500 E Colfax Avenue
Aurora CO 80011
Phone (303) 757-9117 FAX (303) 757-9746

RIGHT OF WAY PLANS UNIT Kevin Williams

Sheet Revisions

| | | |
|---------|------------------------------|------|
| B/28/03 | Show current Survey Practice | CDOT |
| | | |
| | | |
| | | |
| | | |

Computer File Information

| | |
|--|----------------|
| CREATION DATE: 2/18/02 | INITIALS: SKV |
| LAST MODIFICATION DATE: 2/18/02 | INITIALS: SKV |
| FULL PATH: PRO\6844455\Task_06\CAD\ROW\PLANS | |
| DRAWING FILE NAME: Monumentation.dwg | |
| SCALE: N.T.S. | UNITS: English |
| URS Corporation | |
| Denver, Colorado Tel.(303) 740-2600 | |

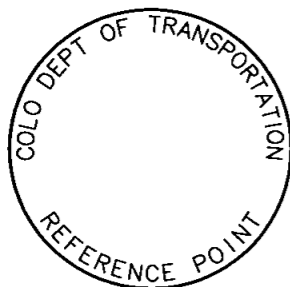
RIGHT OF WAY

MONUMENTATION SHEET

STA 119A-046

SH 119 in Black Hawk

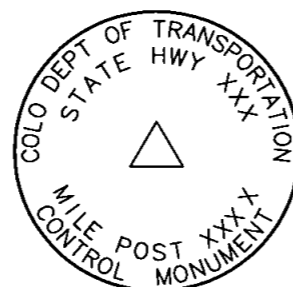
PROJECT CODE 13507 SHEET NUMBER 4B



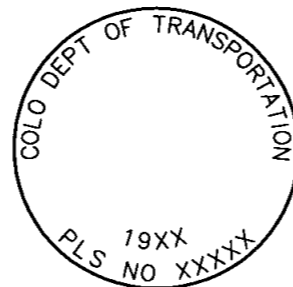
REFERENCE MONUMENT CAP



ROW MONUMENT CAP



CONTROL MONUMENT CAP

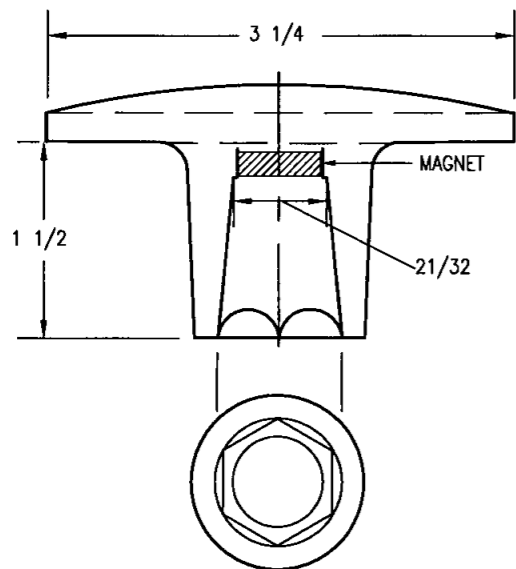


ALIQUOT CORNER MONUMENT CAP

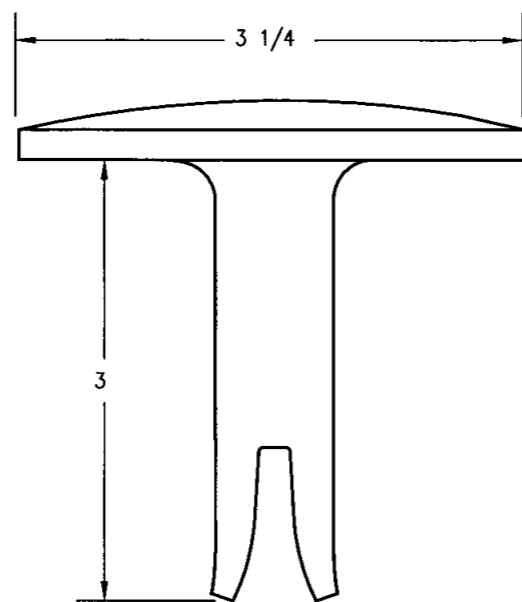


ALUMINUM CAP

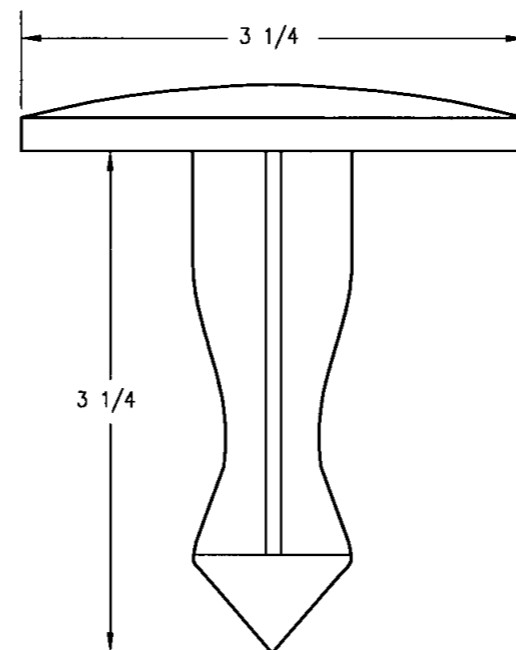
NOTE: A BLANK CAP MAY BE SUBSTITUTED IF THE APPROPRIATE CAP SHOWN ABOVE IS NOT AVAILABLE. IF A BLANK CAP IS USED ALL INFORMATION NORMALLY INCLUDED ON THE APPROPRIATE STANDARD CAP SHALL BE STAMPED ON THE BLANK CAP ALONG WITH SPECIFIC PROJECT INFORMATION SUCH AS PROJECT NO DATE POINT NO ETC



ALUMINUM CAP
USED WITH ALUMINUM ROD



ALUMINUM CAP
FOR PLACING IN EXISTING CONCRETE OR ROCK (TYPE 5)



BRASS CAP
FOR PLACING IN EXISTING CONCRETE OR ROCK (TYPE 5)

ALL MONUMENTATION MATERIALS WILL BE FURNISHED BY CDOT
TYPE 1 AND TYPE 1A ALUMINUM FINNED ROD MONUMENTS

THIS MONUMENT SHALL BE USED FOR ROW OR REFERENCE MONUMENTS. MONUMENTS SHALL BE INSTALLED BY ATTACHING THE PROPER SIZE TIP TO ONE END OF A SECTION OF FINNED ROD AND A 3" LONG x 3/4" DIA. STAINLESS STEEL ADAPTER TO THE OTHER END. DRIVER IS THEN PLACED OVER THE STAINLESS STEEL ADAPTER FOR THE HAMMER TO CONTACT. ADDITIONAL SECTIONS OF ROD NEEDED MAY BE ADDED AS RODS ARE STOCKED IN 2 FOOT AND 3 FOOT SECTIONS. 1 FOOT SECTIONS MAY BE OBTAINED BY CUTTING A 2 FOOT SECTION IN HALF. THE ROD SECTION SHALL BE DRIVEN BY USING THE PROPER HAMMER WITH A SOFT FACE OR BY USING AN ADAPTER WITH A GASOLINE-POWERED DRIVER.

TYPE 1 MONUMENTS SHALL USE A 3 FOOT SECTION OF FINNED ROD. WHEN SUBSURFACE ROCK OR CONCRETE IS ENCOUNTERED LESS THAN 3 FEET BELOW THE GROUND SURFACE THE ROD SHALL BE EMBEDDED IN THE ROCK OR CONCRETE AT LEAST 6 INCHES WITH A GROUT MATERIAL. THE ROD MAY BE SHORTENED TO ACCOMMODATE THE CONDITIONS.

TYPE 1A MONUMENTS INCLUDE MONUMENT BOX

TYPE 2 AND TYPE 2A ALUMINUM FINNED ROD MONUMENTS

THIS MONUMENT SHALL BE USED FOR HORIZONTAL CONTROL MONUMENTS WHERE LOOSE MATERIAL IS ENCOUNTERED. THE LARGER SIZE TIP SHALL BE USED ON ONE END OF THE 3 FEET ROD AND THE FINNED SECTION ROD SHALL BE BENT OVER TO ACCOMMODATE THE CAP IF MORE VERTICAL STABILITY IS REQUIRED FOR USE AS A VERTICAL CONTROL MONUMENT. THE NUMBER OF SECTIONS TO BE ADDED WILL VARY WITH NEEDS AND TYPE OF SOIL.

TYPE 2A MONUMENT INCLUDES MONUMENT BOX

TYPE 3 AND TYPE 3A ALUMINUM PIPE MONUMENTS

THIS MONUMENT SHALL BE USED TO MONUMENT AN ALIQUOT CORNER. THE INSTALLATION OF THIS MONUMENT AND RECORD FILING SHALL BE DONE IN ACCORDANCE WITH THE COLORADO REVISED STATUTES TITLE 38. ALSO REFER TO THE CDOT SURVEY MANUAL. THE LAND SURVEYOR'S LICENSE NUMBER AND THE YEAR SHALL BE STAMPED ON THE CAP.

TYPE 3A MONUMENT INCLUDES MONUMENT BOX

TYPE 4 ALUMINUM MONUMENT

THIS MONUMENT MAY BE PLACED IN LIEU OF REPLACING THE ENTIRE MONUMENT WHEN REBAR IS IN PLACE AT ALIQUOT CORNER LOCATION (SEE BOARD RULE XIII). CAP MINIMUM DIA 2 INCH TO BE USED ON 3/4" (#6) REBAR.

TYPE 5 BRASS/ALUMINUM CAP MONUMENT

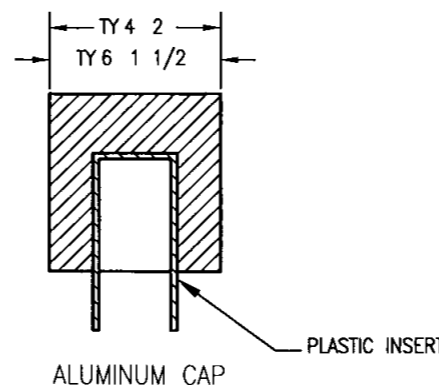
THIS MONUMENT CAN BE USED IN LIEU OF ALL OTHER CDOT MONUMENTS WHEN THE POSITION IS LOCATED IN CONCRETE OR A STABLE ROCK FORMATION.

TYPE 6 ALUMINUM MONUMENT

THIS MONUMENT IS USED FOR PERMANENT EASEMENTS PROJECT BENCH MARKS PROJECT POINTS AND REFERENCES. ALUMINUM CAP MINIMUM DIA OF 1 1/2" IS TO BE USED ON 5/8" (#5) REBAR.

WITNESS POSTS

THE WITNESS POST WHEN REQUIRED WILL BE SUPPLIED BY CDOT AND INSTALLATION SHALL BE INCLUDED IN THE WORK. IT SHALL BE DRIVEN WITHIN 1 FOOT OF THE MONUMENT WHEN POSSIBLE. A DELINEATOR POST WITH A 9 INCH X 12 INCH METAL SIGN PANEL MAY BE USED IN LIEU OF THE PLASTIC POST. THIS POST SHALL CONFORM TO STANDARD S-612-1.



ALUMINUM CAP

MONUMENT APPLICATION

| CAP TYPE | MONUMENT TYPE | | | | | | | | | |
|-------------------------|---------------|----|---|----|---|----|---|---|---|--|
| | 1 | 1A | 2 | 2A | 3 | 3A | 4 | 5 | 6 | |
| REFERENCE | X | X | | | | | | X | X | |
| ROW | X | X | | | | | | X | | |
| CONTROL | | X | X | X | | | | X | | |
| ALIQUOT CORNER | | | | | X | X | X | X | | |
| PERM EASEMENT | | | | | | | | X | X | |
| PROJ POINTS | | | | | | | | X | X | |
| WITNESS POST (REQUIRED) | X | X | X | X | X | | | X | | |

FILING CERTIFICATION
 DEPOSITED THIS _____ DAY OF _____ AT _____ M FOR INFORMATION
 ONLY IN BOOK _____ OF THE COUNTY LAND SURVEYS/RIGHT OF WAY
 SURVEYS AT PAGE _____ RECEPTION NUMBER _____

SIGNED _____
 DEPT _____

COLORADO DEPARTMENT OF TRANSPORTATION



Region 1
18500 E Colfax Avenue
Aurora CO 80011
Phone (303) 757-9117 FAX (303) 757-9746

RIGHT OF WAY PLANS UNIT Kevin Williams

Sheet Revisions

| | | | |
|---------|-----|---|-----|
| 4/15/02 | Rev | Parcel 1, 1A, SE-1, SE-1A, TE-1, Add P reel 1B, | |
| | Rev | SE-1B, TE-1B, SE-2C, TE-2C | SKV |
| 5/31/04 | Add | d 1403A, 1404A | TS |

Computer File Information

CREATION DATE: 7/7/2001 INITIALS: EDC
LAST MODIFICATION DATE: 4/15/02 INITIALS: SKV
FULL PATH: \\Projects\0844455\Task_08\CAD\Row\Plans
DRAWING FILE NAME: Row-plans.dwg
SCALE: 1=100 UNITS: US Survey Feet
URS Corporation
Denver Colorado Tel (303) 694-2770

RIGHT OF WAY

PLAN SHEET

STA 119A-046

SH 119 in Blackhawk

PROJECT CODE 13507 SHEET NUMBER 5

SW 1/4 Section 8
T 3 S, R 72 W 6th PM

SE 1/4 Section 7
T 3 S, R 72 W, 6th PM

LAND SURVEY PLAT
MAP NO S98-97 & Y2(A)
ALICE P & MEREDITH YONKERS

ROW AS ESTABLISHED
WPSS PROJ NO 429-A(1)

BEGIN ROW PROJ STA 119A-046
STATION 103+86 89 M P 6 40
STATION 852+70 02, WPSS 429-B(1)

LAND SURVEY PLAT
PT M S 42, 43 & 44
MAP NO S94 5
BLACK HAWK/CENTRAL CITY
SANITATION-DISTRICT
BK 281 PG 245

LAND SURVEY PLAT
MAP NO S95-10

Note Parcel Numbers Correspond
to Parcel Numbers in ROW &
Easement Documents from Project
WPSS 429B(1)

| | | | |
|--------|--------|-------|--|
| 1 Rev | 1B Rev | SE 1B | JPS No 1 LLC a Delaware Limited Liability Company |
| SE 1 | TE 1 | TE 1B | |
| 1A Rev | SE 1A | SE 1A | JPS No 2 LLC, a Delaware Limited Liability Company |
| SE 2 | SE 2A | SE 2A | City of Black Hawk Colorado |
| SE 2B | SE 2C | SE 2C | |
| TE 2 | TE 2A | TE 2A | |
| TE 2B | TE 2C | TE 2C | |

FILING CERTIFICATION
 DEPOSITED THIS _____ DAY OF _____ 19____ AT _____ M FOR INFORMATION
 ONLY IN BOOK _____ OF THE COUNTY LAND SURVEYS/RIGHT OF WAY
 SURVEYS AT PAGE _____ RECEPTION NUMBER _____

SIGNED _____
DEPT _____

SCALE 1 100



--- MILL SITES
--- GAMING BOUNDARY

SEE SHEET 5A

COLORADO DEPARTMENT OF TRANSPORTATION



Region 1
18500 E Colfax Avenue
Aurora CO 80011
Phone (303) 757-9117 FAX (303) 757-9746

RIGHT OF WAY PLANS UNIT Kevin Williams

Sheet Revisions

| | | |
|---------|--|-----|
| 4/04/02 | Add P 6A, 6B, Delete SE-6 | SKY |
| 4/15/02 | Revise Parcel 1, 1A, SE-1, SE-1A, TE-1, Add Parcel 1B, | SKY |
| | SE-1B, TE-1B, SE-2C, TE-2C | SKY |
| 5/31/04 | Added 476A, 1079A, 1308A, 1405A | TS |

Computer File Information

CREATION DATE: 7/7/2001 INITIALS: EDC
LAST MODIFICATION DATE: 4/15/02 INITIALS: SKY
FULL PATH: \\Projects\6844455\Task_06\CAD\Row\Plans
DRAWING FILE NAME: Row-plans.dwg
SCALE: 1=100 UNITS: US Survey Feet
URS Corporation
Denver Colorado Tel (303) 694-2770

RIGHT OF WAY

PLAN SHEET

STA 119A-046

SH 119 in Blackhawk

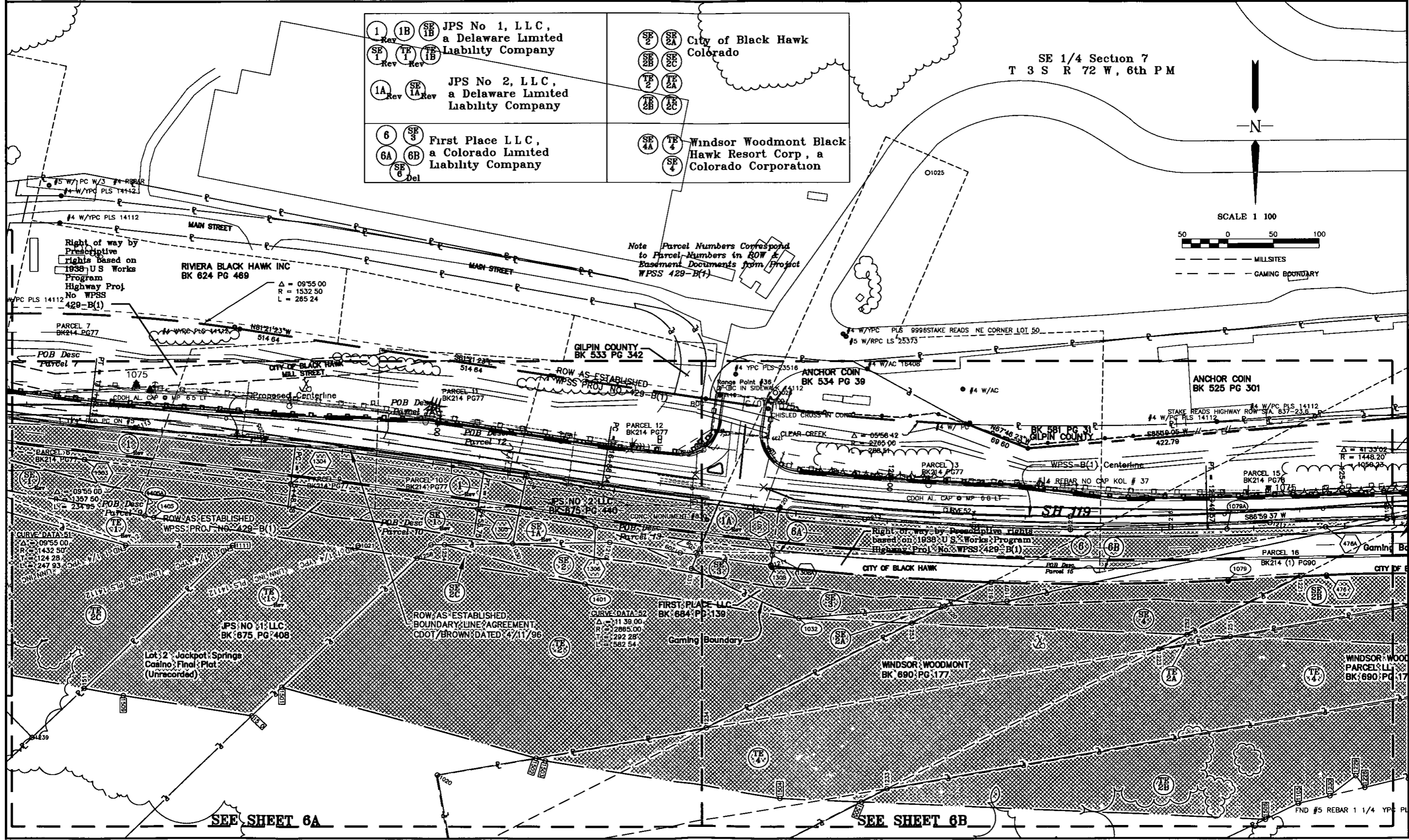
PROJECT CODE 13507 SHEET NUMBER 6

| | | | |
|---|--|--|--|
| <p>1 Rev 1B Rev 1C Rev 1D Rev 1E Rev 1F Rev 1G Rev 1H Rev 1I Rev 1J Rev 1K Rev 1L Rev 1M Rev 1N Rev 1O Rev 1P Rev 1Q Rev 1R Rev 1S Rev 1T Rev 1U Rev 1V Rev 1W Rev 1X Rev 1Y Rev 1Z Rev</p> | <p>JPS No 1, LLC, a Delaware Limited Liability Company</p> | <p>2A 2B 2C 2D 2E 2F 2G 2H 2I 2J 2K 2L 2M 2N 2O 2P 2Q 2R 2S 2T 2U 2V 2W 2X 2Y 2Z</p> | <p>City of Black Hawk Colorado</p> |
| <p>3A 3B 3C 3D 3E 3F 3G 3H 3I 3J 3K 3L 3M 3N 3O 3P 3Q 3R 3S 3T 3U 3V 3W 3X 3Y 3Z</p> | <p>JPS No 2, LLC, a Delaware Limited Liability Company</p> | <p>4A 4B 4C 4D 4E 4F 4G 4H 4I 4J 4K 4L 4M 4N 4O 4P 4Q 4R 4S 4T 4U 4V 4W 4X 4Y 4Z</p> | <p>Windsor Woodmont Black Hawk Resort Corp, a Colorado Corporation</p> |
| <p>5A 5B 5C 5D 5E 5F 5G 5H 5I 5J 5K 5L 5M 5N 5O 5P 5Q 5R 5S 5T 5U 5V 5W 5X 5Y 5Z</p> | <p>First Place LLC, a Colorado Limited Liability Company</p> | <p>6A 6B 6C 6D 6E 6F 6G 6H 6I 6J 6K 6L 6M 6N 6O 6P 6Q 6R 6S 6T 6U 6V 6W 6X 6Y 6Z</p> | |

SE 1/4 Section 7
T 3 S R 72 W, 6th P M



FILING CERTIFICATION
 DEPOSITED THIS DAY OF 19 AT M FOR INFORMATION
 ONLY IN BOOK OF THE COUNTY LAND SURVEYS/RIGHT OF WAY
 SURVEYS AT PAGE RECEPTION NUMBER



SEE SHEET 6A

SEE SHEET 6B

FND #5 REBAR 1 1/4 YPC PL

COLORADO DEPARTMENT OF TRANSPORTATION

Region 1
18500 E. Colfax Avenue
Aurora CO 80011
Phone (303) 757-9117 FAX (303) 757-9746

RIGHT OF WAY PLANS UNIT Kevin Williams

Sheet Revisions

| | | |
|---------|--|-----|
| 4/04/02 | Add Par 6A, 6B, Delet SE-6 | SKV |
| 4/15/02 | Revise Parcel 1A, SE-1, SE-1A, TE-1, Add Parcel 1B, SE-1B, TE-1B, SE-2C, TE-2C | SKV |
| 5/31/04 | Added 1405A | TS |

Computer File Information

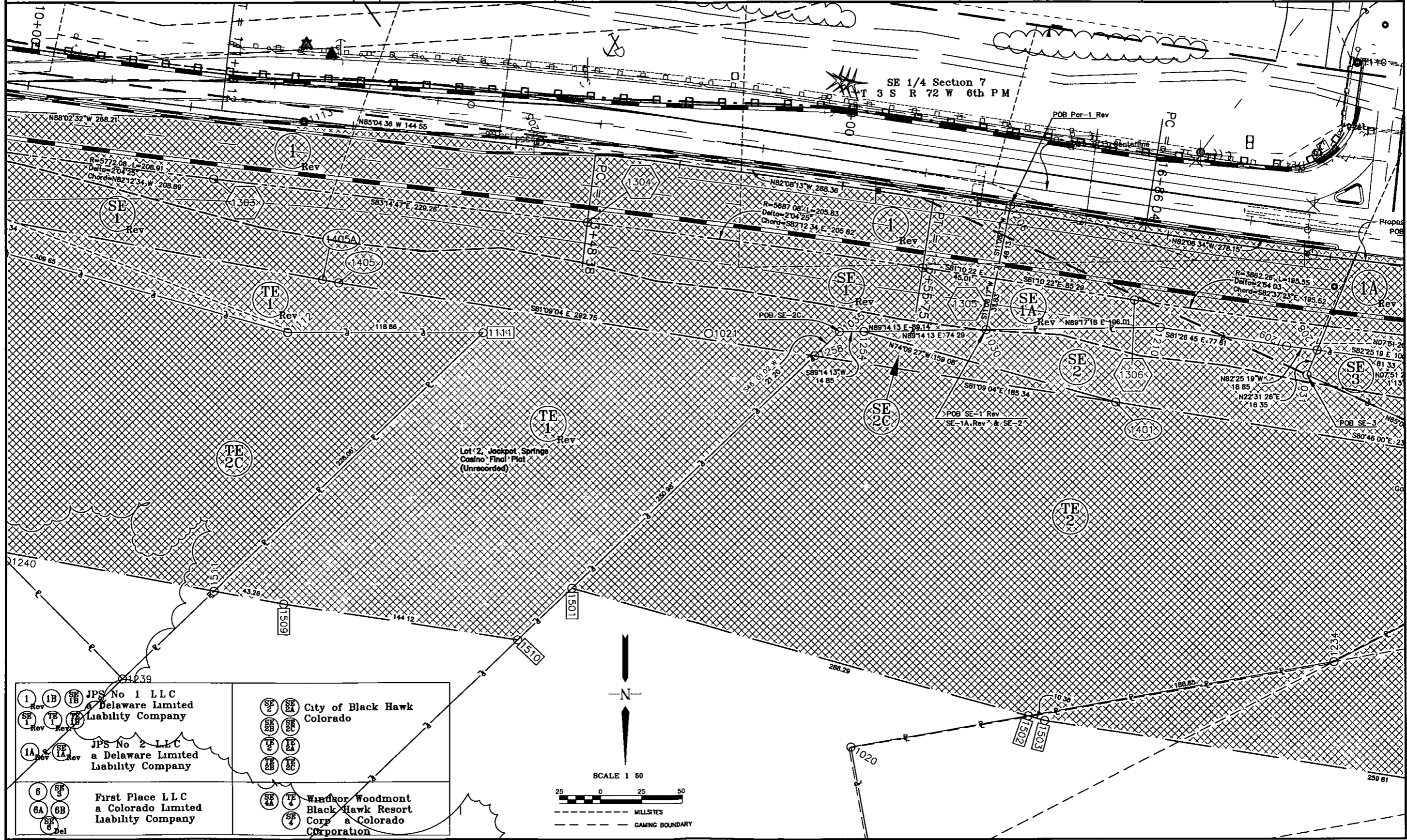
CREATION DATE: 7/7/2001 INITIALS: EDC
LAST MODIFICATION DATE: 4/15/02 INITIALS: SKV
FULL PATH: \\Projects\6844455\Task_06\CAD\Row\Plans
DRAWING FILE NAME: Row-plans.dwg
SCALE: 1=100' UNITS: US Survey Feet
URS Corporation
Denver Colorado Tel (303) 694-2770

RIGHT OF WAY

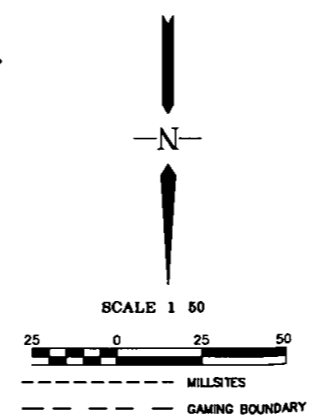
PLAN SHEET
STA 119A-046
SH 119 in Blackhawk
PROJECT CODE 13507 SHEET NUMBER 6A

FILING CERTIFICATION
 DEPOSITED THIS _____ DAY OF _____ AT _____ M FOR INFORMATION
 ONLY IN BOOK _____ OF THE COUNTY LAND SURVEYS/RIGHT OF WAY
 SURVEYS AT PAGE _____ RECEPTION NUMBER _____

SIGNED _____
DEPT _____



| | |
|--|--|
| 1 (1B) (1B) JPS No 1 LLC a Delaware Limited Liability Company (SE) (TE) (TE) | (SE) (SE) City of Black Hawk Colorado (TE) (TE) (SE) (SE) |
| (1A) (1A) JPS No 2 LLC a Delaware Limited Liability Company (SE) (SE) | (SE) (TE) Windsor Woodmont Black Hawk Resort Corp a Colorado Corporation (SE) (SE) |
| (6) (SE) First Place LLC a Colorado Limited Liability Company (6A) (6B) (SE) (Del) | |



COLORADO DEPARTMENT OF TRANSPORTATION



Region 1
18500 E Colfax Avenue
Aurora CO 80011
Phone (303) 757-9117 FAX (303) 757-9746

RIGHT OF WAY PLANS UNIT Kevin Williams

Sheet Revisions

| | | |
|---------|--|-----|
| 4/04/02 | Add P 6A, 6B, Delet SE-6 | SKV |
| 4/15/02 | Revise Parcel 1, 1A, SE-1, SE-1A, TE-1, Add Parcel 1B, | SKV |
| | SE-1B, TE-1B, SE-2C, TE-2C | SKV |
| 5/31/04 | Added 476A, 1079A, 1308A | TS |

Computer File Information

CREATION DATE: 7/7/2001 RITVALS, EDC
LAST MODIFICATION DATE: 4/15/02 RITVALS, SKV
FULL PATH: \\Projects\6844458\Task_06\CAD\Row\Plans
DRAWING FILE NAME: Row-plans.dwg
SCALE: 1=100 UNITS: US Survey Feet
URS Corporation
Denver Colorado Tel (303) 694-2770

RIGHT OF WAY

PLAN SHEET

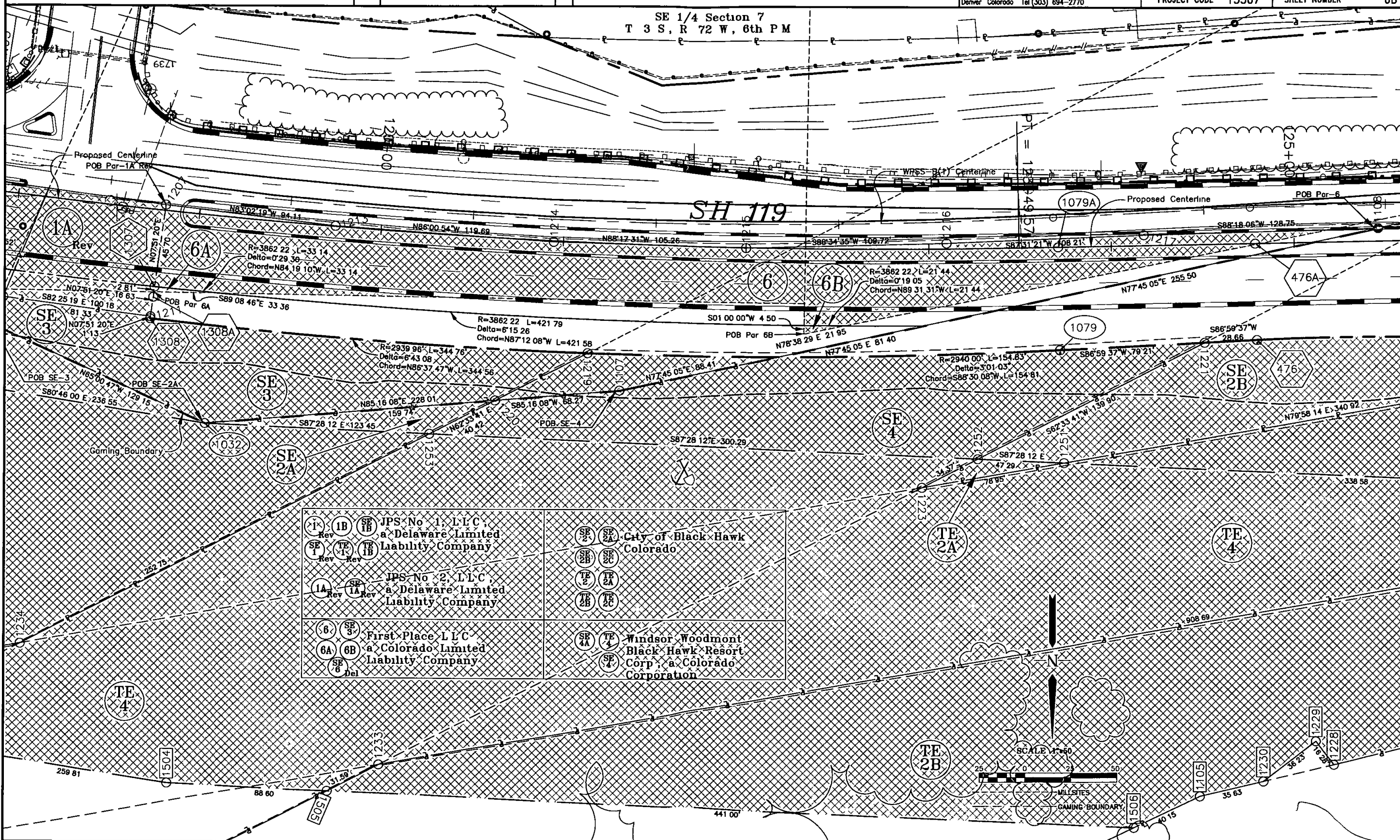
STA 119A-046

SH 119 in Blackhawk

PROJECT CODE 13507

SHEET NUMBER 6B

SE 1/4 Section 7
T 3 S, R 72 W, 6th PM



| | | | | | |
|----------|----------|---|-------------|-------------|---|
| (1A) Rev | (1B) Rev | (1B) JPS No 1, L.L.C., a Delaware Limited Liability Company | (SE 3A) Rev | (SE 3B) Rev | (SE 3) City of Black Hawk Colorado |
| (1A) Rev | (1A) Rev | JPS No 2, L.L.C., a Delaware Limited Liability Company | (TE 2A) Rev | (TE 2B) Rev | (TE 2A) Windsor Woodmont Black Hawk Resort Corp, a Colorado Corporation |
| (6A) Rev | (6B) Rev | First Place L.L.C. a Colorado Limited Liability Company | (TE 4A) Rev | (TE 4B) Rev | (TE 4) Windsor Woodmont Black Hawk Resort Corp, a Colorado Corporation |

FILING CERTIFICATION
 DEPOSITED THIS _____ DAY OF _____ AT _____ M FOR INFORMATION
 ONLY IN BOOK _____ OF THE COUNTY LAND SURVEYS/RIGHT OF WAY
 SURVEYS AT PAGE _____ RECEPTION NUMBER _____
 SIGNED _____ DEPT _____

COLORADO DEPARTMENT OF TRANSPORTATION



Region 1
18500 E. Colfax Avenue
Aurora CO 80011
Phone (303) 757-9117 FAX (303) 757-9746

RIGHT OF WAY PLANS UNIT Kevin Williams

Sheet Revisions

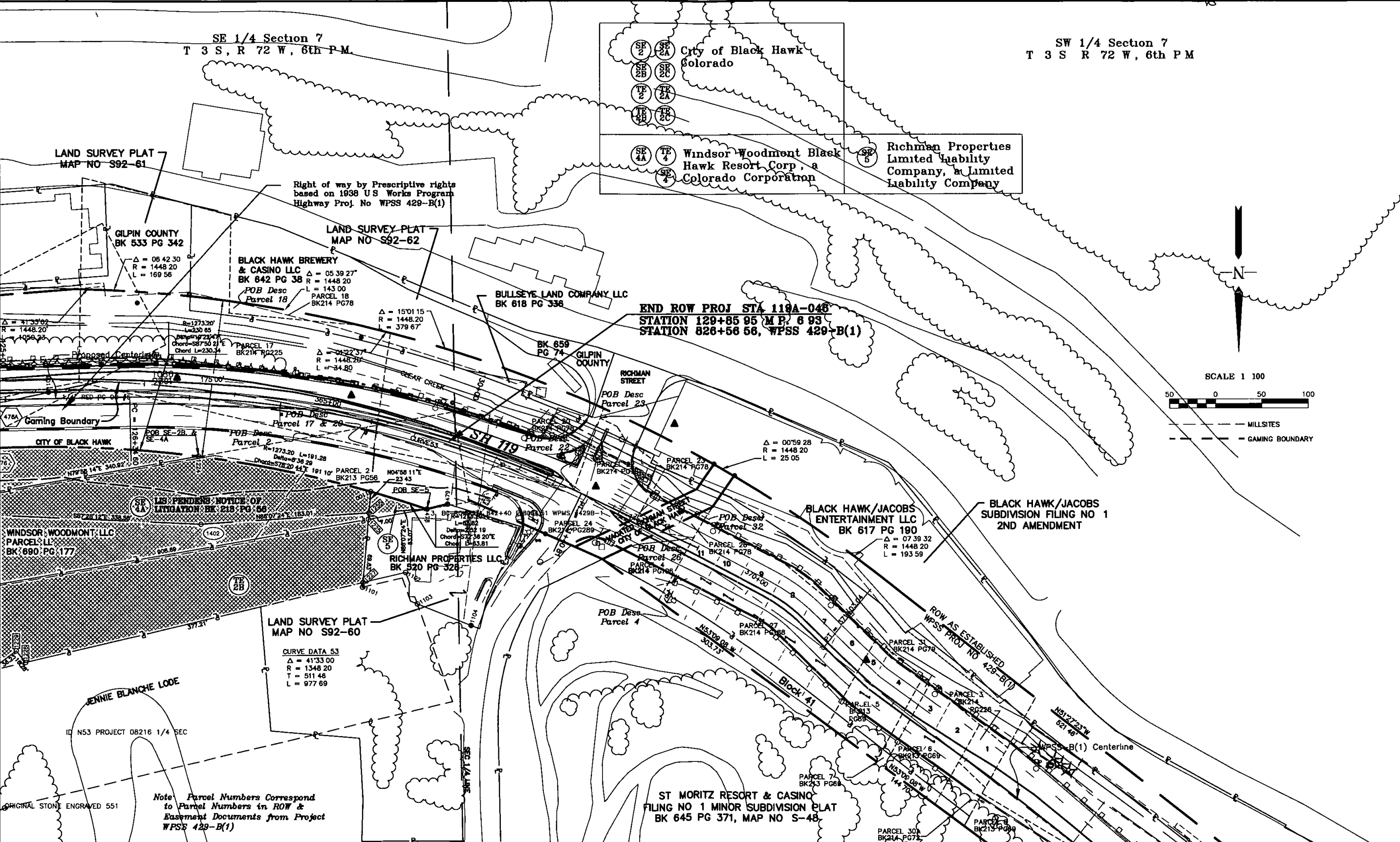
| NO. | DESCRIPTION | DATE |
|-----|-------------|------|
| | | |
| | | |
| | | |
| | | |
| | | |
| | | |
| | | |
| | | |

Computer File Information

CREATION DATE: 7/7/2001 INITIALS: EDC
LAST MODIFICATION DATE: 4/04/02 INITIALS: SKY
FULL PATH: \\Projects\6844455\Task_08\CAD\Row\Plans
DRAWING FILE NAME: Row-plans.dwg
SCALE: 1=100 UNITS: US Survey Feet
URS Corporation
Denver Colorado Tel (303) 694-2770

RIGHT OF WAY

PLAN SHEET
STA 119A-046
SH 119 in Blackhawk
PROJECT CODE 13507 SHEET NUMBER 7



FILING CERTIFICATION
 DEPOSITED THIS _____ DAY OF _____ AT _____ M FOR INFORMATION
 ONLY IN BOOK _____ OF THE COUNTY LAND SURVEYS/RIGHT OF WAY
 SURVEYS AT PAGE _____ RECEPTION NUMBER _____
 SIGNED _____ DEPT _____

Note: Parcel Numbers Correspond to Parcel Numbers in ROW & Easement Documents from Project WPSS 429-B(1)

ST MORITZ RESORT & CASINO
FILING NO 1 MINOR SUBDIVISION PLAT
BK 645 PG 371, MAP NO S-48

COLORADO DEPARTMENT OF TRANSPORTATION



Region 1
18500 E. Colfax Avenue
Aurora CO 80011
Phone (303) 757-9117 FAX (303) 757-9746

RIGHT OF WAY PLANS UNIT Kevin Williams

Sheet Revisions

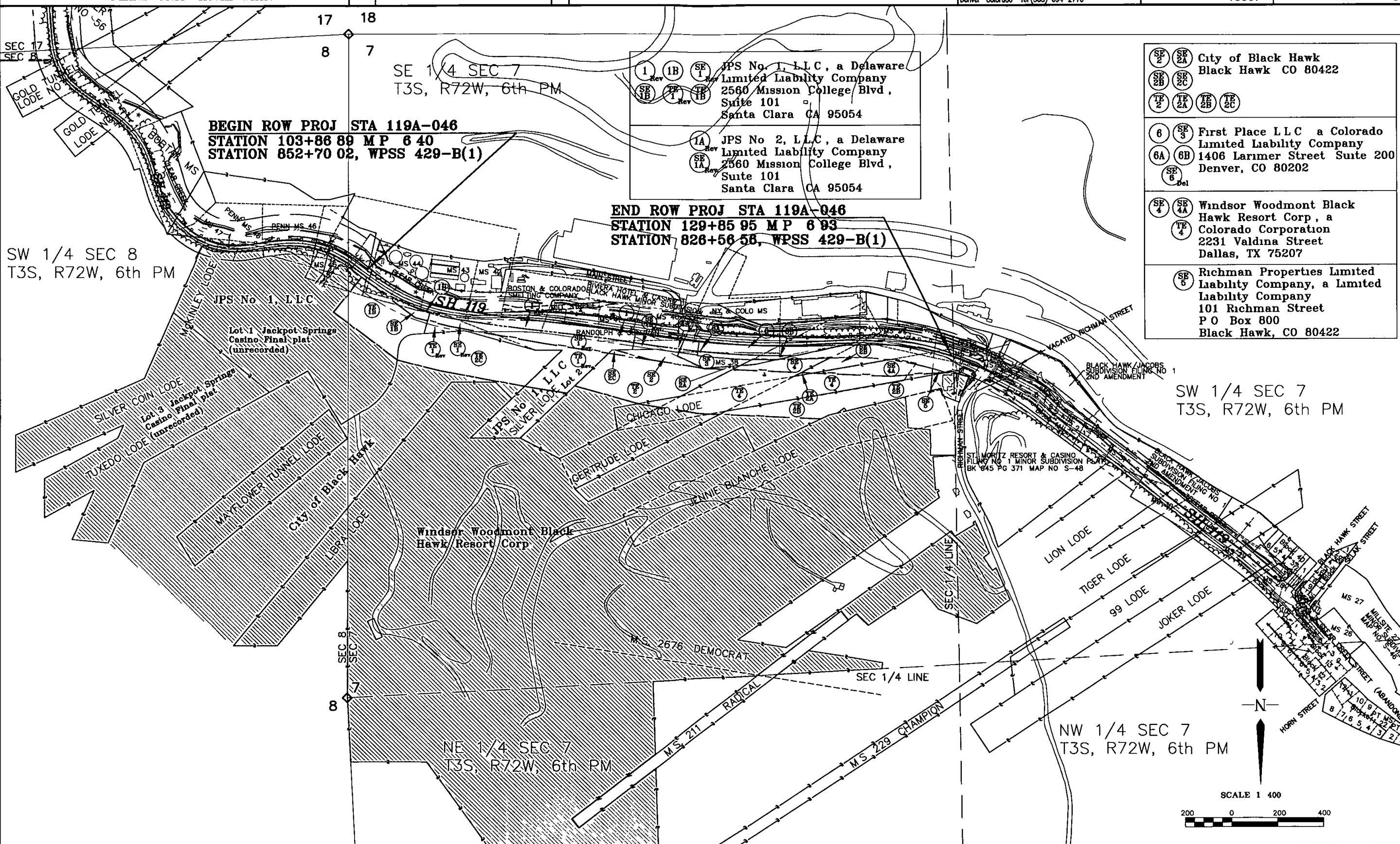
| | |
|---|-----|
| 4/04/02 Add P reel 6A & 6B Delet SE-6 | SKV |
| 4/15/02 Revise Parcel 1 1A SE-1 SE-1A, TE-1 Add P reel 1B | SKV |
| SE-1B TE-1B SE-2C TE-2C | SKV |

Computer File Information

CREATION DATE: 01/10/2002 INITIALS: PHK
LAST MODIFICATION DATE: 4/15/02 INITIALS: SKV
FULL PATH: \\Projects\6844459\Task_06\CAD\Row\Plane
DRAWING FILE NAME: Ownership.dwg
SCALE: 1=400 UNITS: US Survey Feet
URS Corporation
Denver Colorado Tel (303) 694-2770

RIGHT OF WAY

| | |
|---------------------|----------------|
| OWNERSHIP | |
| STA 119A-046 | |
| SH 119 in Blackhawk | |
| PROJECT CODE 13507 | SHEET NUMBER 8 |



FILING CERTIFICATION
 DEPOSITED THIS _____ DAY OF _____ AT _____ M FOR INFORMATION
 ONLY IN BOOK _____ OF THE COUNTY LAND SURVEYS/RIGHT OF WAY
 SURVEYS AT PAGE _____ RECEPTION NUMBER _____
 SIGNED _____ DEPT _____

| |
|---|
| (SE 2) (SE 2A) City of Black Hawk Black Hawk CO 80422 (SE 2B) (SE 2C) (TE 2) (TE 2A) (TE 2B) (TE 2C) |
| (6) (SE 3) First Place LLC a Colorado Limited Liability Company (6A) (6B) 1406 Larimer Street Suite 200 Denver, CO 80202 (SE 6) Del |
| (SE 4) (SE 4A) Windsor Woodmont Black Hawk Resort Corp, a (TE 4) Colorado Corporation 2231 Valdina Street Dallas, TX 75207 |
| (SE 5) Richman Properties Limited Liability Company, a Limited Liability Company 101 Richman Street P O Box 800 Black Hawk, CO 80422 |

